



TYPE PA200PCY RA- DA
PA250PCY RA - DA
PA310PCY RA - DA
PA400PCY RA - DA
PA500PCY RA - DA

Normally Close – air opens – rising stem
 Carbon Steel Painted version

TYPE PA200SSCY RA - DA
PA250SSCY RA - DA
PA310SSCY RA - DA
PA400SSCY RA - DA
PA500SSCY RA - DA

Normally Open – air closes – extended stem
 AISI 304 Stainless Steel version

DESCRIPTION

Pneumatic control diaphragm actuator with compact series, manufactured with multisprings technology, in double version carbon steel painted and AISI 304 Stainless Steel.

Signal range 3-15 psi ... 6-18 psi ... 6-30 psi

Can be equipped with pneumatic, electropneumatic or smart positioners and other accessories.

NOMINAL SIZES :

- **T200** Area cm² 108
- **T250** Area cm² 233
- **T310** Area cm² 380
- **T400** Area cm² 560
- **T500** Area cm² 935

FINISHING :

- Epoxy coated 65 µ RAL 5020

CONFORMITY :

- PED 2014/68/UE

TECHNICAL CHARACTERISTICS :

- Actuator : diaphragm type
- Control signals DA version : 3-15 psi
- Control signals RA version : 3-15 psi ... 6-18 psi ... 6-30 psi
- Max air supply pressure : 85 psi (6 bar) T200-250
- Max air supply pressure : 35 psi (2,5 bar) T310-500
- Ambient temperature : -20 ... +70 °C
- Pneumatic connections : ISO 7 Rp – 1/8"

ON REQUEST :

- Pneumatic-Pneumatic pilot positioner 3-15 psi
- Electro-Pneumatic pilot positioner 4-20 mA /4-12 mA /12-20 mA
- Smart Positioner
- Air filter regulator
- Air Lock-up
- Proximity limit switches
- Mechanical limit switches
- 3-way solenoid valve
- Top-work manual handwheel only on painted version
- Different RAL colour (minimum delivery 5 weeks)

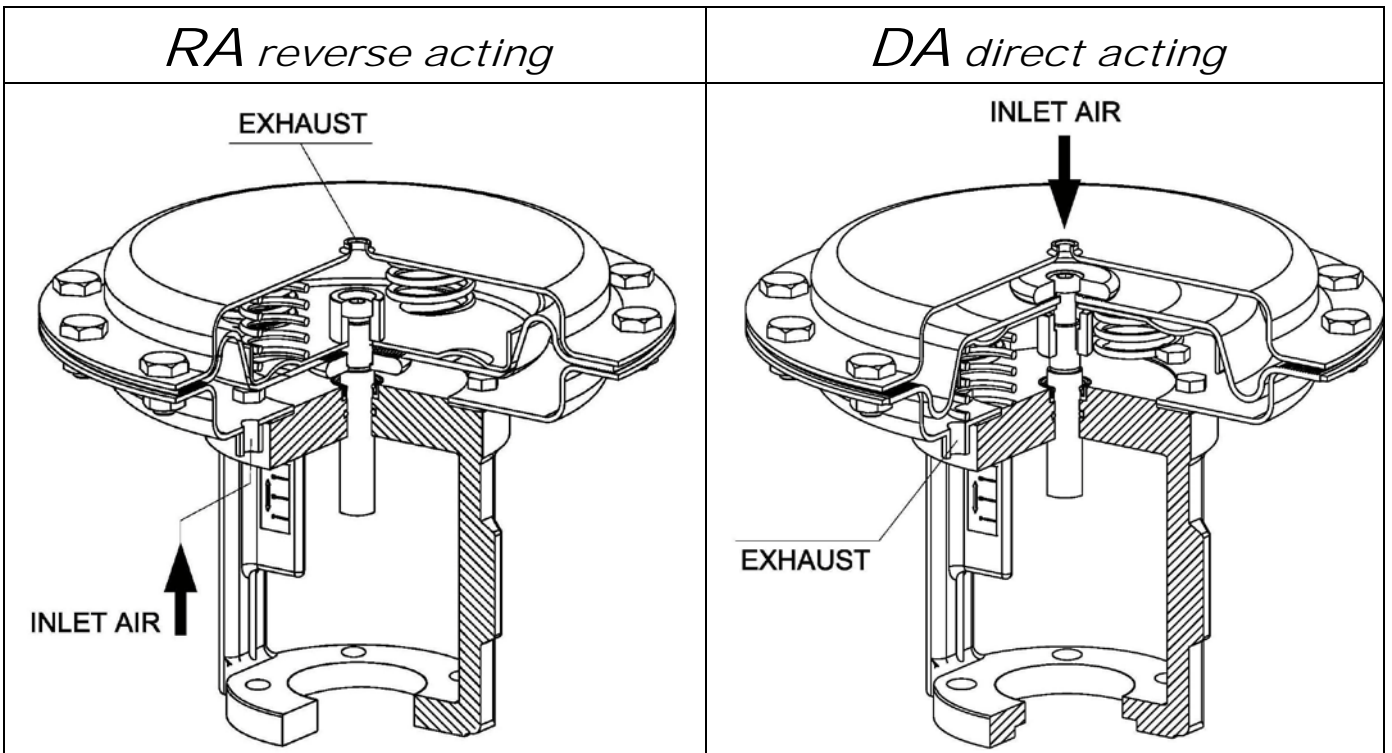
Performances

Type	PA200	PA250	PA310	PA400	PA500
Area cm ²	108	233	380	560	935
Capacity liter	0,5	1,2	2	3,8	7,1
Stroke mm	11 19	11 19	11 19 28	11 19 28	11 19 28
Max supply air Barg	6	6	2,5	2,5	2,5
Connection air	ISO7 Rp 1/8"				
Spring setting	3-15 psi (effective signal) RA - DA version				
	6-18 psi (effective signal) RA version				
	6-30 psi (nominal signal) RA version				

		Spring Load N				
Stroke mm	Range psi	Type				
		PA200	PA250	PA310	PA400	PA500
11	3-15	224	482	787	1159	1936
11	6-18	447	965	1574	2319	3872
11	6-30 *	1043 (14-26psi)	2090 (13-25psi)	2098 (8-20psi)	3865 (10-17psi)	6453 (10-17psi)
19	3-15	224	482	787	1159	1936
19	6-18	447	965	1574	2319	3872
19	6-30 *	1043 (11-24psi)	1447 (9-21psi)	2623 (10-23psi)	3865 (10-23psi)	6453 (10-23psi)
28	3-15			787	1159	1936
28	6-18			1574	2319	3872
28	6-30 *			2098 (8-24psi)	5024 (13-26psi)	6453 (10-17psi)

* Nominal Signal

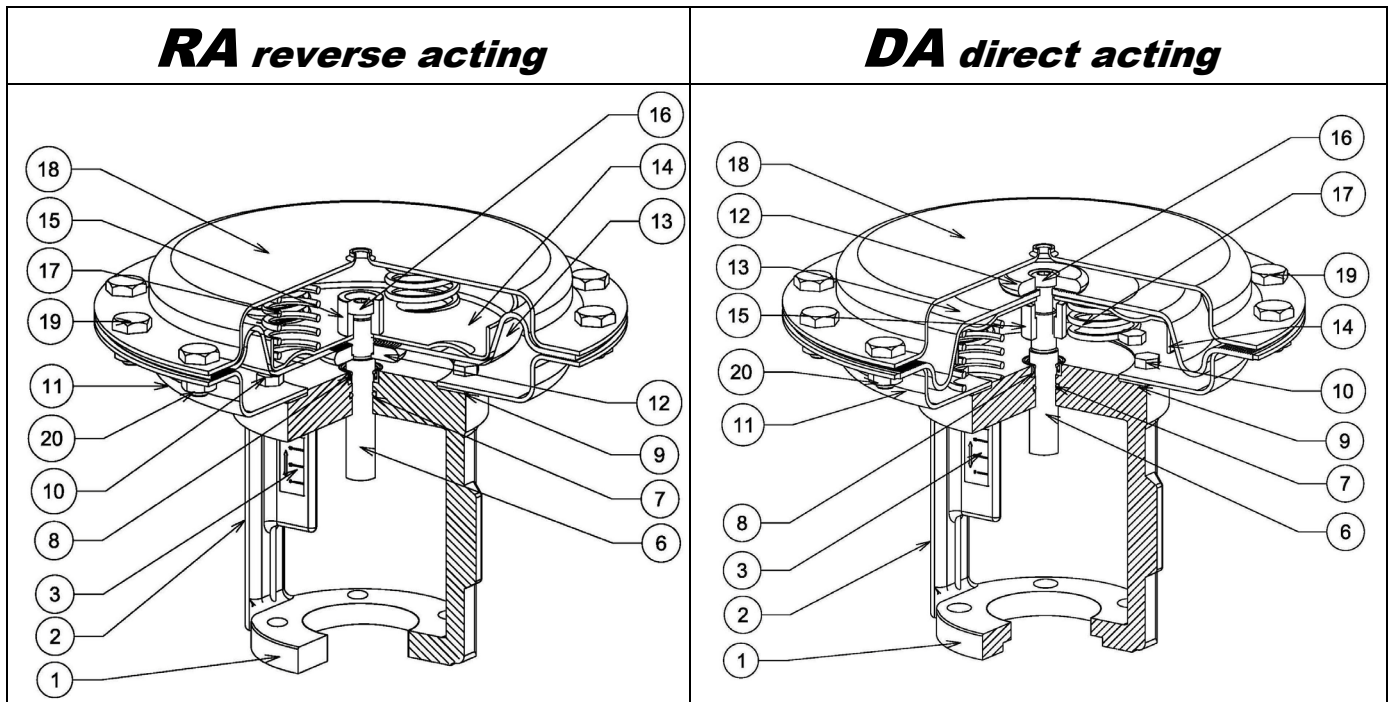
		Spring Load N – DA version 3-15 * psi with thrust 30 psi				
Stroke mm	Range psi	Type				
		PA200	PA250	PA310	PA400	PA500
11	3-15 *	2236	4824	7868	11594	19358
19	3-15 *					
28	3-15 *					



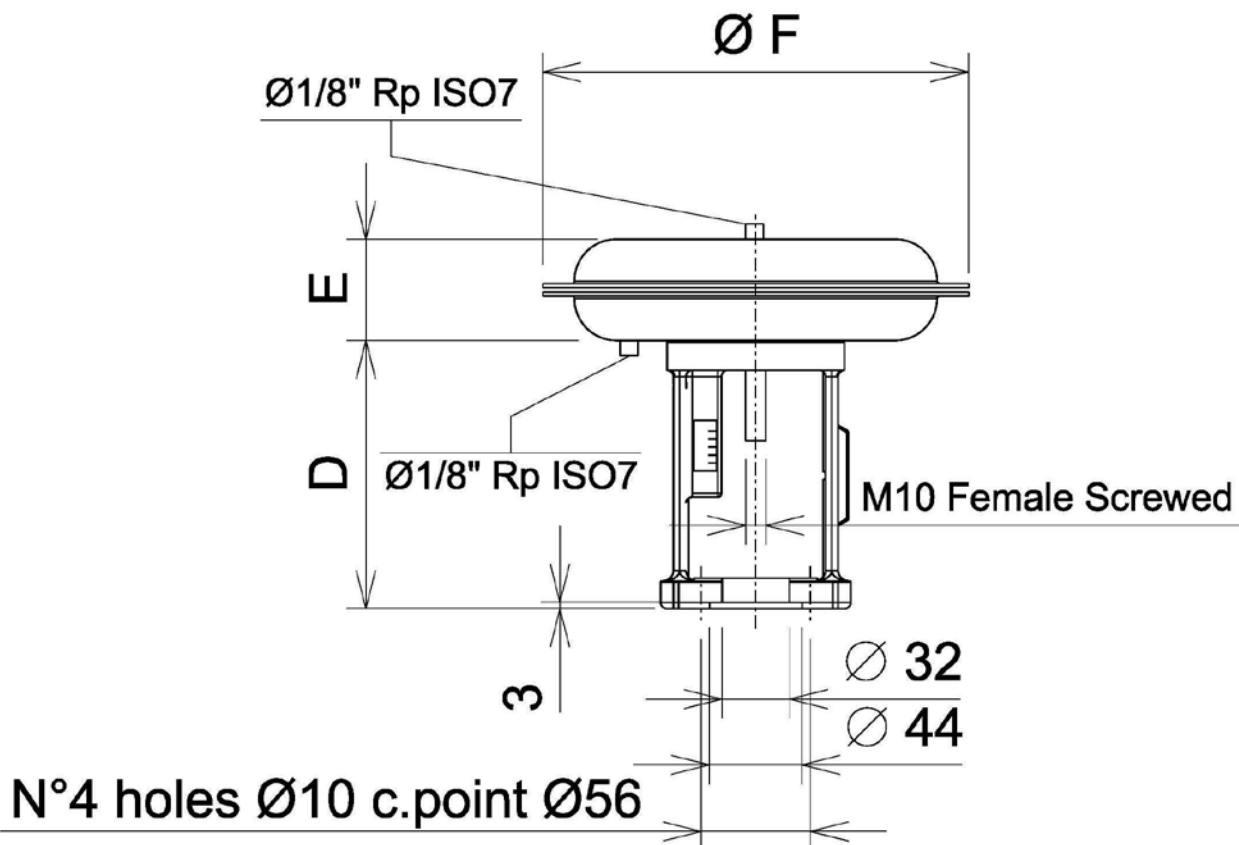
Pneumatic Diaphragm Actuator

Item	Description	Construction Material
1	Yoke	EN GJS 500 UNI EN 1563 epoxy painted RAL 5020 Stainless Steel A304 CF8 – Type SS
2	Description plate	S.S. AISI 304
3	Travel indicator	Polycarbonate
6	Upper stem	AISI 304
7	Lower “o” ring	NBR
8	Upper Air tight	NBR
9	Gasket	Cork rubber
10	Internal screws	DIN 933 galvanized steel
11	Lower case	P11 steel epoxy painted RAL 5020 Stainless Steel ASTM A240 A304 – Type SS
12	Diaphragm spacer	Galvanized steel
13	Diaphragm	EPDM
14	Diaphragm Plate	P01 steel
15	Diaphragm bush	AISI 303
16	Diaphragm lock screw	ISO 7380 Galvanized steel
17	Springs	C98 UNI 3823
18	Upper case	P11 steel epoxy painted RAL 5020 Stainless Steel ASTM A240 A304 – Type SS
19	Casing lock screws	DIN 933 galvanized steel DIN 933 – A2 – Type SS
20	Casing locknuts	DIN 933 galvanized steel DIN 933 – A2 – Type SS
20.1	Eyebolts only on T400/T500	DIN 582 – galvanized C15 DIN 933 – A2 – Type SS

(1) Component mounted only on RA version T400/T500 6-30 psi



Dimensions (mm) and Weight (Kg)



This actuator yoke can be locked by bolts or by adjusting nut

Dimension mm

Type	D	Type DA	E		Ø F
			Type RA		
			psi		
			3-15 / 6-18 / 6-30		
PA200	208	70	70		210
PA250		70	70		292
PA310		95	95		336
PA400		119	119		408
PA500		119	119		520

Weight Kg

Type	Type DA		Type RA	
	3-15 psi	6-18 psi	psi	
			3-15 psi	6-30 psi
PA200	7	7	7,5	
PA250	9,5	10	11	
PA310	13	13,5	14	
PA400	20	20,5	21	
PA500	30	30,5	31	

Specifications given are only indicative and not binding for the manufacturer who reserve the right to carry-out any modifications deemed necessary without prior notice. All data sheets by CONFLOW SpA, are available last update on our internet web site www.conflo.it.