

# ELECTRIC ACTUATORS

## SPRING RETURN and TENSION OPENS & CLOSES



AVF/E

10

2012



### TYPE AVF234SF232

Extended stem with spring return

### TYPE AVF234SF132

Retracting stem with spring return

### TYPE AVM234SF132

Tension Open & close

#### DESCRIPTION

The AVF/AVM valve actuators fulfil all requirements for control valve actuators with remarkable efficiency.

Automatic adaptation to valve, precision control and high energy efficiency with minimal operating noise.

The AVF/AVM valve actuators are provided of automatic detection of control signal. 2 LEDs shows the motor running; characteristic curve (linear or equal percentage) and running time can be adjusted by coding switch.

#### THRUST SIZE :

- 2,0 kN maximum – Spring Return TYPE AVF...
- 2,5 kN maximum – Tension Open & Close TYPE AVM...

#### FINISHING :

- Case ( two part ) material self-extinguishing yellow plastic
- Pillars material stainless steel

#### CONFORMITY :

- EMC Directive 2004/108/EC
- Machinery Directive 98/37/EEC//B
- Low voltage 2006/95/EC

#### TECHNICAL CHARACTERISTICS :

- Enclosure : IP 66 EN 60529
- Supply V : 230 V AC 1~ - 50/60 Hz  
: 110 V AC 1~ - 50/60 Hz:  
: 24 V AC 1~ - 50/60 Hz  
: 24 VDC
- Stroke : 0...40 mm
- Control signal : 0...10 V , Ri = 100 k  
With integrated positioner : 4...20 mA , Ri = 50  
: 3 points modulating
- Power consumption : 10 W 18 VA
- Ambient temperature : -10 + 60 °C
- Cable entries : n° 3 knock-out cable entries  
for  
M20x1.5 and M16x1.5

#### OPTIONS :

- Additional card for 220 V AC supply
- Additional card for 110 V AC supply
- Additional card for limit switches

Page 1 / 2

# CONFLOW s.p.a.

FLOW CONTROL SOLUTIONS

COMPANY  
WITH QUALITY SYSTEM  
CERTIFIED BY DNV

ISO 9001

#### Factory & Sales Offices:

Via Lecco, 69/71  
20864 AGRATE BRIANZA (MB)  
ITALY

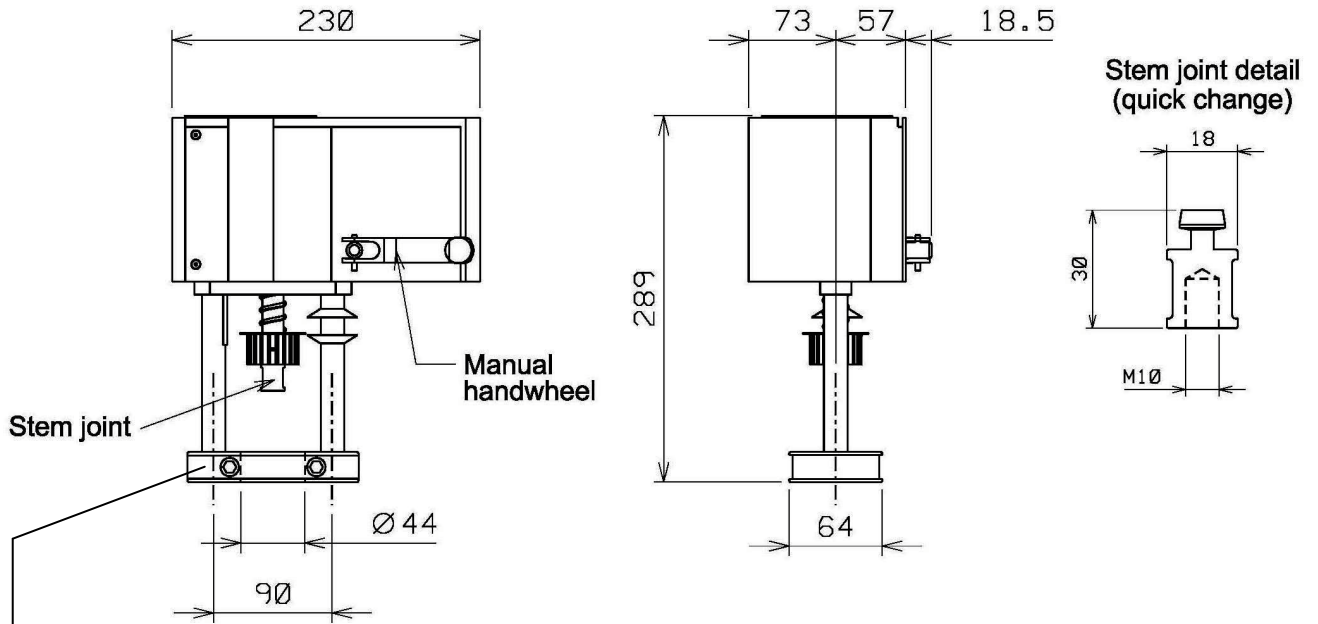
Tel. +39.(0)39/651.705 - 650.397

Fax. +39.(0)39/654.018

[www.conflow.it](http://www.conflow.it) / [sales@conflow.it](mailto:sales@conflow.it)

## Dimensions (mm) and weight (Kg)

### Type AVF234SF232 – AVF234SF132 – AVM234SF132

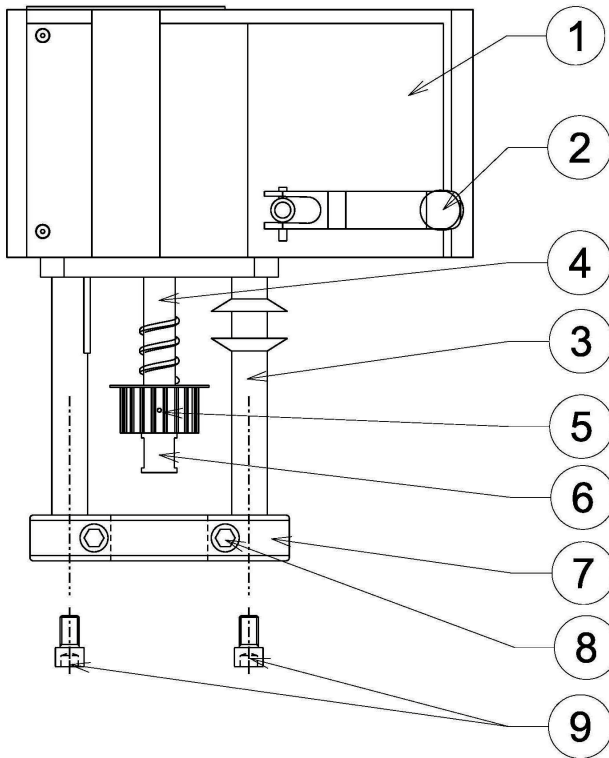


Possibility to use the electric actuator without flange connection. The pillars are screwed M8 (female)

AVF234SF232 / AVF234SF132 Weight 5,6 Kg

AVM234SF132 Weight 4,1 Kg

## Construction Materials



Description	Material
1. Actuator case	1. Self-extinguishing yellow plastic
2. Manual handwheel	2. Duroplastic
3. Pillars	3. S.S. AISI 304
4. Stem	4. S.S. AISI 304
5. Universal joint	5. Die casting aluminium
6. Stem joint	6. S.S. AISI 304
7. Lower flange	7. Die Casting aluminium
8. Flange screws	8. Steel cl. 8.8
9. Pillar screws	9. Steel cl. 8.8

Specifications given are only indicative and not binding for the manufacturer who reserve the right to carry-out any modifications deemed necessary without prior notice. All data sheets by CONFLOW SpA, are available last update on our internet web site [www.conflo.it](http://www.conflo.it).