

SIMPLE EFFECT PNEUMATIC VALVES THREE PIECES BALL BODY – FULL BORE

VS2200SE/E

05 | 2015

TWO WAY – ON-OFF AND MODULATING 

TYPE **VS2200 SE** (n.c. – n.a.) Stainless Steel AISI 316

Simple Effect – air opens (Norm. Closed)
Simple Effect – air closes (Norm. open)

DESCRIPTION

VS2200 SE pneumatic valves are with three pieces body. The AISI 316 ball guarantees a perfect tightness in class VI°. Compact construction assembled with a pneumatic piston actuator SIMPLE effect with 90° rotation, made of aluminium or technopolymer for valves $\leq \varnothing 1.1/4"$.

The pneumatic actuator is powered by the following signals:

- 4 ... 10 bar for ON – OFF valves with aluminium piston
- 4... 8 bar for ON – OFF valves with technopolymer piston
- 3-15 psi with pneumatic pilot positioner on modulating valves
- 4-20 mA with electropneumatic pilot positioner on modulating valves

NOMINAL DIAMETERS : from $\varnothing 1/2"$ to $\varnothing 4"$

BODY CONNECTIONS : Screwed ISO 7 Rp
Socket Welding S.W.

LIMIT WORKING CONDITIONS :

- Max inlet pressure and temperature : 63 bar 180 °C

BODY MATERIALS (1) :

- **Stainless steel AISI 316 PN 63**
Internal parts stainless steel AISI 316

BODY TYPE : Full bore

PLUG :

- Ball

STEM PACKING :

- PTFE ≤ 180 °C

PNEUMATIC ACTUATOR CHARACTERISTICS:

- Actuator : simple effect piston
rotation 90 °
ISO 5211 – DIN 3337
NAMUR VDI / VDE 3845
- Input signal: : from 4 to 10 bar (aluminium piston)
: from 4 to 8 bar (technopolymer piston)
- Max air applicable : 10 bar (aluminium piston)
: 8 bar (technopolymer piston)
- Ambient temperature : -20 ... +70 °C
- Actuator box : Aluminium ASTM B210
: Technopolymer
- Right and left piston : die cast aluminium UNI 5076
- Pneumatic connections : ISO 7 Rp – $1/4"$

ON REQUEST :

- Pneumatic Pilot Positioner 3-15 psi ... 3-9 psi ... 9-15 psi
- Electro-pneumatic pilot positioner 4-20 mA...4-12 mA ...12-20 mA
- Proximity limit switches
- Feedback signal on positioner 4-20 mA
- Rotary switches with position monitoring by "Dome"
- Solenoid valve
- Air filter regulator

CONFLOW s.p.a.

COMPANY
WITH QUALITY SYSTEM
CERTIFIED BY DNV
ISO 9001

Via Lecco, 69/71
20864 AGRATE BRIANZA (MB)
Tel. 039/651.705 - 650.397
Fax 039/654.018
e-mail : sales@conflow.it
www.conflow.it

Maximum permissible pressure drops in Kg/cm² – signals in bar

Ø	1/2"	3/4"	1"	1.1/4"	1.1/2"	2"	2.1/2"	3"	4"
Δp Kg/cm ²	60	60	60	60	60	60	60	60	60
Air bar	4/6	4/6	4/6	4/6	4/6	4/6	4/6	4/6	4/6
Alluminium piston	UT 15 S3	UT 15 S4	UT 20 S3	UT 20 S4	UT 25 S4	UT 30 S4	UT 35 S3	UT 40 S4	UT 45 S4
Technopolymer piston	PT 10 S3	PT 13 S4	PT 18 S3	PT 18 S4	n.a.	n.a.	n.a.	n.a.	n.a.

n.a. = not applicable

Fig. 1

COMPONENTS LIST (fig. 1)

1. Middle body
2. Body terminals
3. Ball gaskets
4. Ball
5. Stem
6. Packing
7. Stem gaskets
8. Packing bush
9. Locking packing bolt (or sieger)
10. Body locking screws
11. Locking bolts
12. Washer
13. Piston

ELENCO MATERIALI (fig. 1)

1. Stainless steel AISI 316
2. Stainless steel AISI 316
3. PTFE
4. Stainless steel AISI 316
5. Stainless steel AISI 316
6. PTFE
7. PTFE
8. Stainless steel AISI 304
9. Stainless steel AISI 304
10. Stainless steel AISI 304
11. Stainless steel AISI 304
12. Stainless steel AISI 304
13. Alluminium / Technopolymer

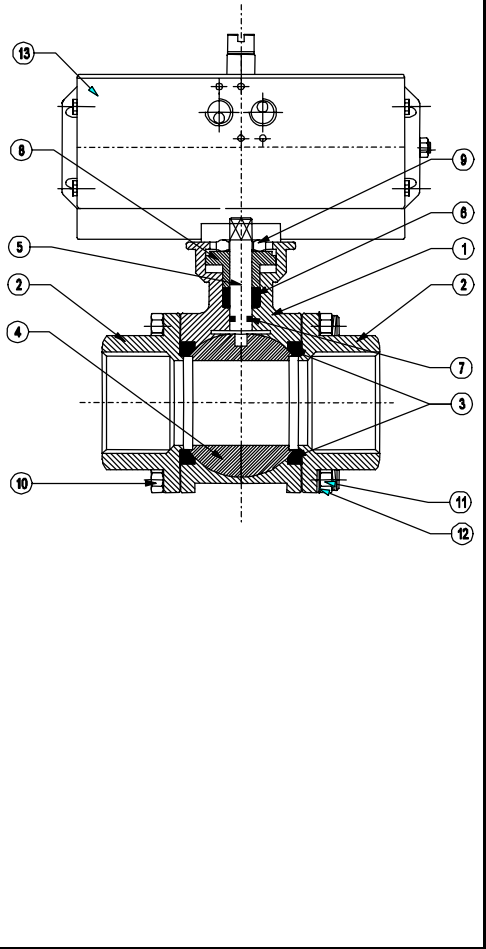
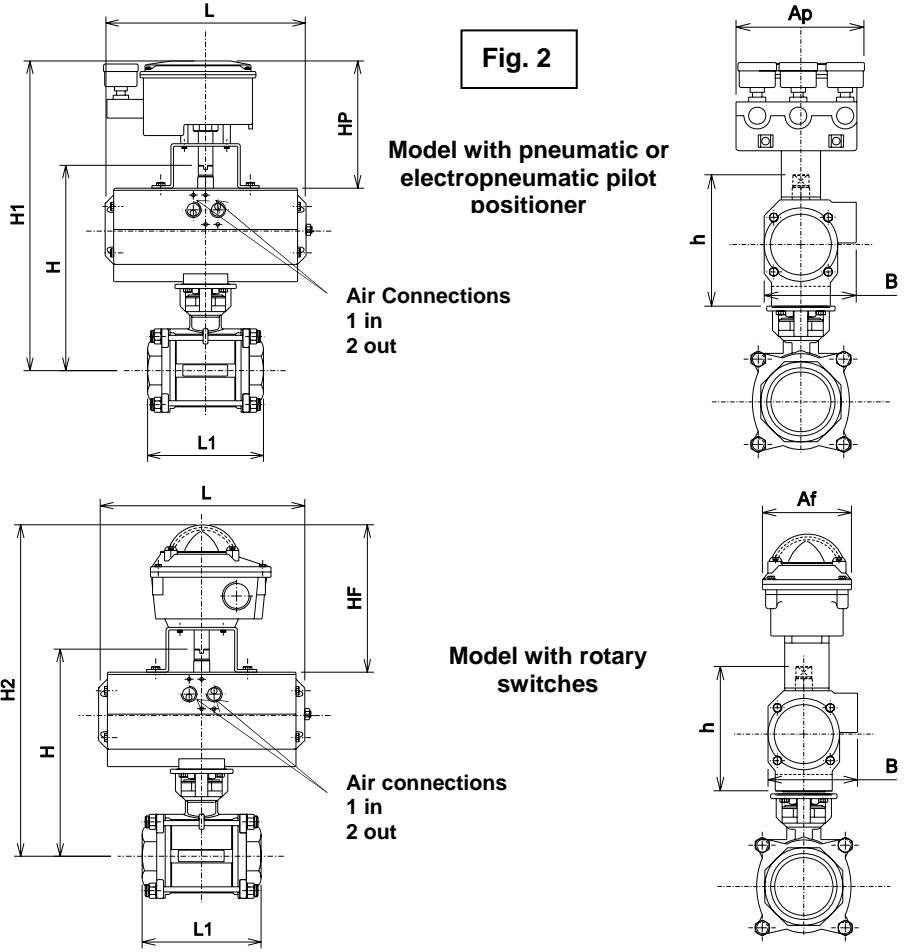


Fig. 2



Dimensions in mm (fig. 2)

Ø	1/2"		3/4"		1"		1.1/4"		1.1/2"	2"	2.1/2"	3"	4"
	UT 15	PT 10	UT 15	PT 13	UT 20	PT 18	UT 20	PT 18	UT 25	UT 30	UT 35	UT 40	UT 45
H – std version	159	149	163	153	187	176	196	185	201	228	297	308	411
H1 – version with positioners	294	294	298	298	322	231	331	330	336	363	423	443	576
H2 – model with rotary switches	264	264	268	268	292	291	301	300	306	333	402	413	546
HP	165		165		165		165		165	165	165	165	165
HF	135		135		135		135		135	135	135	135	135
L	165	160	165	160	177	175	177	175	239	230	246	290	351
h	121	111	121	111	143	132	143	132	143	162	196	196	208
B	85	86	85	86	96	101	96	101	96	113	138	138	151
L1	64		75		86		99		113	132	164	183	232
Ap	168		168		168		168		168	168	168	168	168
Af	86		86		86		86		86	86	86	86	86

Specifications given are only indicative and not binding for the manufacturer who reserve the right to carry-out any modifications deemed necessary without prior notice. All data sheets by CONFLOW SpA, are available last update on our internet web site www.conflo.it.

DOUBLE EFFECT – PNEUMATIC VALVES THREE PIECES BALL BODY – FULL BORE

VS2200DE/E

05 | 2015

TWO WAY – ON-OFF AND MODULATING



TYPE **VS2200 DE**

Stainless Steel AISI 316

Double effect – air opens and closes

DESCRIPTION

VS2200 DE pneumatic valves are with three pieces body. The AISI 316 ball guarantees a perfect tightness in class VI°. Compact construction assembled with a pneumatic piston actuator double effect rotation 90 ° made of alluminium or technopolymer for valves $\leq \varnothing 2.1/2"$.

The pneumatic actuator is powered by the following signals:

- 4 ... 10 bar for ON – OFF valves.
- 3-15 psi with pneumatic pilot positioner on modulating valves
- 4-20 mA with electropneumatic pilot positioner on modulating valves

NOMINAL DIAMETERS : from $\varnothing 1/2"$ to $\varnothing 4"$

BODY CONNECTIONS : Screwed ISO 7 Rp
Socket Welding S.W.

LIMIT WORKING CONDITIONS :

- Max inlet pressure and temperature : 63 bar 180 °C

BODY MATERIALS (1) :

- **Stainless steel AISI 316 PN 63**
Internal parts stainless steel AISI 316

BODY TYPE : Full bore

PLUG :

- Ball

STEM PACKING :

- PTFE ≤ 180 °C

PNEUMATIC ACTUATOR CHARACTERISTICS:

- Actuator : double effect piston
rotation 90 °
ISO 5211 – DIN 3337
NAMUR VDI / VDE 3845
- Input signal: : from 4 to 10 bar (alluminium piston)
: from 4 to 8 bar (technopolymer piston)
- Max air applicable : 10 bar (alluminium piston)
: 8 bar (technopolymer piston)
- Ambient temperature : -20 ... +70 °C
- Actuator box : Alluminium ASTM B210
: Technopolymer
- Right and left piston : die cast alluminium UNI 5076
- Pneumatic connections : ISO 7 Rp – $1/4"$

ON REQUEST :

- Pneumatic Pilot Positioner 3-15 psi ... 3-9 psi ... 9-15 psi
- Electro-pneumatic pilot positioner 4-20 mA...4-12 mA ...12-20 mA
- Proximity limit switches
- Feedback signal on positioner 4-20 mA
- Rotary switches with position monitoring by "Dome"
- Solenoid valve
- Air filter regulator

CONFLOW s.p.a.

COMPANY
WITH QUALITY SYSTEM
CERTIFIED BY DNV
ISO 9001

Via Lecco, 69/71
20864 AGRATE BRIANZA (MB)
Tel. 039/651.705 - 650.397
Fax 039/654.018
e-mail : sales@conflow.it
www.conflow.it

Maximum permissible pressure drops in Kg/cm² – signals in bar

Ø	1/2"	3/4"	1"	1.1/4"	1.1/2"	2"	2.1/2"	3"	4"
Δp Kg/cm ²	60	60	60	60	60	60	60	60	60
Air bar	4/6	4/6	4/6	4/6	4/6	4/6	4/6	4/6	4/6
Alluminium piston	UT 05 DE	UT 05 DE	UT 05 DE	UT 15 DE	UT 15 DE	UT 20 DE	UT 20 DE	UT 25 DE	UT 30 DE
Technopolymer piston	PT 10 DE	PT 10 DE	PT 10 DE	PT 13 DE	PT 13 DE	PT 18 DE	PT 18 DE	n.a.	n.a.

n.a. = not applicable

Fig. 1

COMPONENTS LIST (fig. 1)

1. Middle body
2. Body terminals
3. Ball gaskets
4. Ball
5. Stem
6. Packing
7. Stem gaskets
8. Packing bush
9. Locking packing bolt (or sieger)
10. Body locking screws
11. Locking bolts
12. Washer
13. Piston

ELENCO MATERIALI (fig. 1)

1. Stainless steel AISI 316
2. Stainless steel AISI 316
3. PTFE
4. Stainless steel AISI 316
5. Stainless steel AISI 316
6. PTFE
7. PTFE
8. Stainless steel AISI 304
9. Stainless steel AISI 304
10. Stainless steel AISI 304
11. Stainless steel AISI 304
12. Stainless steel AISI 304
13. Alluminium / Technopolymer

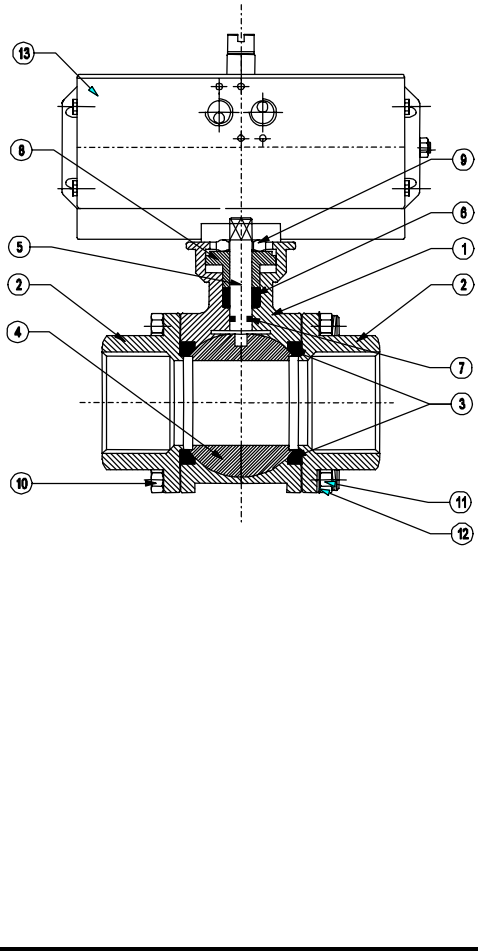
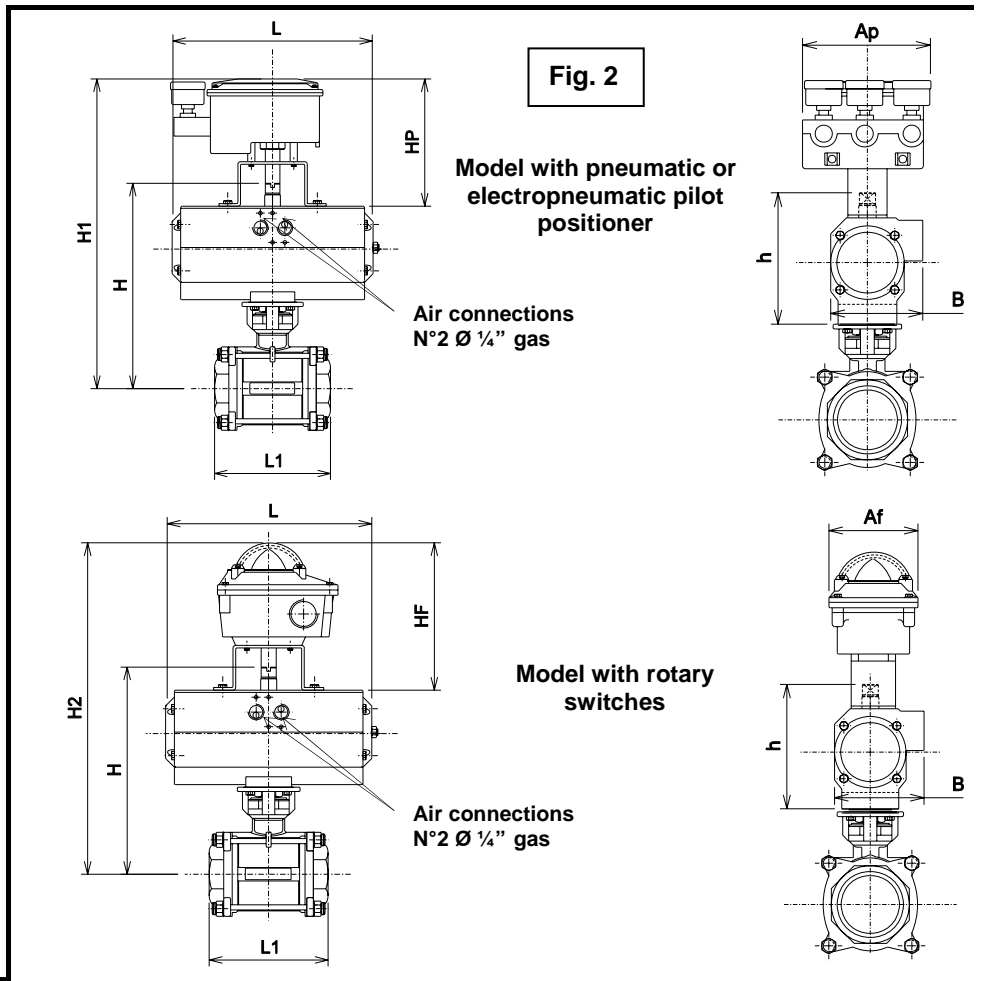


Fig. 2



Dimensions in mm (fig. 2)

Ø	1/2"		3/4"		1"		1.1/4"		1.1/2"		2"		2.1/2"		3"		4"	
	UT 05	PT 10	UT 05	PT 10	UT 05	PT 10	UT 15	PT 13	UT 15	PT 13	UT 20	PT 18	UT 20	PT 18	UT 25	PT 30		
H – std version	139	129	143	133	145	135	174	164	179	169	209	198	244	233	255	336		
H1 – version with positioners	274	274	278	278	280	280	309	309	314	314	344	343	379	378	390	471		
H2 – model with rotary switches	244	244	248	248	250	250	279	279	284	284	314	313	349	348	360	441		
HP	165	165	165	165	165	165	165	165	165	165	165	165	165	165	165	165		
HF	135	135	135	135	135	135	135	135	135	135	135	135	135	135	135	135		
L	119	119	119	119	119	119	165	160	165	160	177	175	177	175	239	230		
h	101	91	101	91	101	91	121	111	121	111	143	132	143	132	143	162		
B	67	67	67	67	67	67	85	86	85	86	96	101	96	101	96	113		
L1	64		75		86		99		113		132		164		183		232	
Ap	168		168		168		168		168		168		168		168		168	
Af	86		86		86		86		86		86		86		86		86	

Specifications given are only indicative and not binding for the manufacturer who reserve the right to carry-out any modifications deemed necessary without prior notice. All data sheets by CONFLOW SpA, are available last update on our internet web site www.conflo.it.