

ON – OFF ACTION - PED 2014/68/UE



TYPE VPFL AR

Normally closed – air opens

TYPE VPFL AD

Normally open – air closes

TYPE VPFL DE

Double effect – air opens and closes

DESCRIPTION

The ON-OFF “VPFL” series pneumatic valves are with free flow body and full bore. Compact construction assembled with PA pneumatic piston actuator by inlet air from 4 to 10 bar.

NOMINAL DIAMETERS : from Ø 1/2" to Ø 2"

BODY CONNECTIONS : screwed BSP ISO 7/1 Rp

BODY MATERIALS :

- **Stainless Steel AISI 316 PN 16**
Internal parts stainless steel AISI 316 - bonnet AISI 316

PLUG :

- **PT** = quick opening (PTFE) cl. VI°

BONNET :

- Standard for temperatures from -10 to + 180 °C

PACKING :

- PTFE Rings
For temperatures -10 / +180 °C

PNEUMATIC ACTUATOR CHARACTERISTICS :

- Actuator : piston with sight indicator
- Material : **PA**
- Ambient temperature : -10 ... +60°C
- Input signal : 4 ... 10 bar
- Max air pressure : 10 bar
- Pneumatic connection : ISO 7 Rp – 1/4"
- Rotation : 360°

LIMIT WORKING CONDITION – BODY GROUP :

- Max inlet pressure : 16 bar
- Maxworking temperature : -10 / + 190 °C

ON REQUEST :

- Solenoyd valve



- Proximity limit switches box



CV = american unit (flowrate in USGPM with 1 psi of differential pressure)

Kv = metric unit (flowrate in m3/h with 1 bar of differential pressure)

Plug	Full bore	DN 15	DN 20	DN 25	DN 32	DN 40	DN 50
		Ø 1/2"	Ø 3/4"	Ø 1"	Ø 1.1/4"	Ø 1.1/2"	Ø 2"
PT	CV	4,6	9,38	17,65	21,32	26,19	47,17
	KV	5,4	11,0	20,7	25	30,7	55,3

CONFLOW s.p.a.

COMPANY WITH
QUALITY SYSTEM
CERTIFIED BY DNV GL
= ISO 9001 =

Via Lecco, 69/71
20864 AGRATE BRIANZA (MB)
Tel. 039/651.705 - 650.397
Fax 039/654.018
e-mail: sales@conflow.it
www.conflow.it

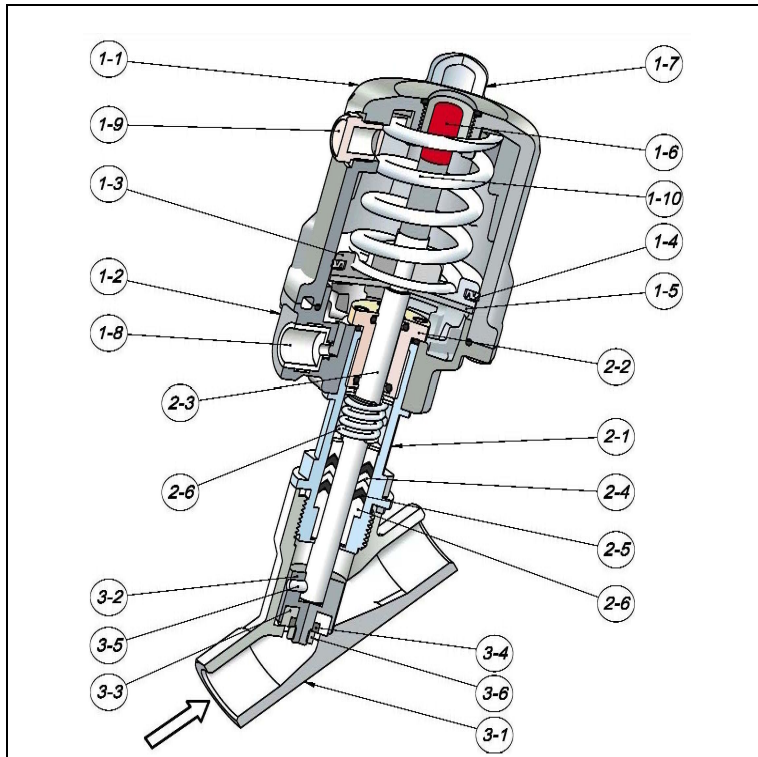
Maximum permissible pressure drops in Kg/cm² (fluid opens)

Actuator Type	Ø 1/2"	Ø 3/4"	Ø 1"	Ø 1.1/4"	Ø 1.1/2"	Ø 2"
	DN 15	DN 20	DN 25	DN 32	DN 40	DN 50
Ø 50	16	16	n.a.	n.a.	n.a.	n.a.
Ø 63	n.a.	n.a.	13	n.a.	n.a.	n.a.
Ø 80	n.a.	n.a.	n.a.	12	9	n.a.
Ø 100	n.a.	n.a.	n.a.	n.a.	n.a.	8 *

* with flow tries to close Delta/P = 10 Kg/cm²

n.a. = not applicable

COMPONENTS LIST AND MATERIALS



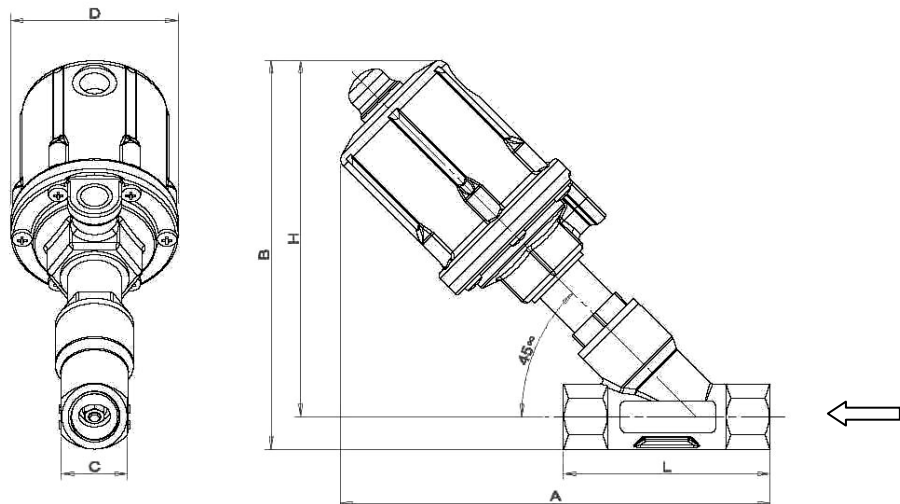
COMPONENTS LIST

- 1-1. Actuator case (UP)
- 1-2. Actuator case (DOWN)
- 1-3. Piston
- 1-4. Piston seal
- 1-5. Piston washer
- 1-6. Indicator rod
- 1-7. Indicator cap
- 1-8. Air inlet
- 1-9. Noise filter
- 1-10. Return spring
- 2-1. Stuffing box
- 2-2. stuffing box joint crew
- 2-3. stem
- 2-4. V-packing
- 2-5. V-packing
- 2-6. Packing spring
- 3-1. Body
- 3-2. Plug
- 3-3. Plug seal
- 3-4. Plug washer
- 3-5. Plug ping
- 3-6. Lock nut

MATERIALS

- 1-1. PA
- 1-2. PA
- 1-3. PA
- 1-4. Viton
- 1-5. Stainless Steel AISI316
- 1-6. AL
- 1-7. PC
- 1-8. Brass
- 1-9. Brass
- 1-10. SPS4
- 2-1. Stainless Steel AISI316
- 2-2. Brass
- 2-3. Stainless Steel AISI316
- 2-4. PTFE
- 2-5. Viton
- 2-6. Stainless Steel AISI304
- 3-1. Stainless Steel AISI316
- 3-2. Stainless Steel AISI316
- 3-3. PTFE
- 3-4. Stainless Steel AISI316
- 3-5. Stainless Steel AISI316
- 3-6. Stainless Steel AISI316

DIMENSIONS in mm.



Size		Ø actuator	A	B	C	D	H	L
DN	BSP ISO 7/1 Rp							
15	1/2"	50	174.5	158	27	Ø68	144.5	84
20	3/4"	50	182	163.5	34	Ø68	146.5	94
25	1"	63	211	192.5	40	Ø84	172.5	104
32	1.1/4"	80	247.5	234	49	Ø105	209.5	120
40	1.1/2"	80	252	238.5	55	Ø105	211	130
50	2"	100	317	309	70	Ø126	274	150

Specifications given are only indicative and not binding for the manufacturer who reserve the right to carry-out any modifications deemed necessary without prior notice. All data sheets by CONFLOW SpA, are available last update on our internet web site www.conflo.it.