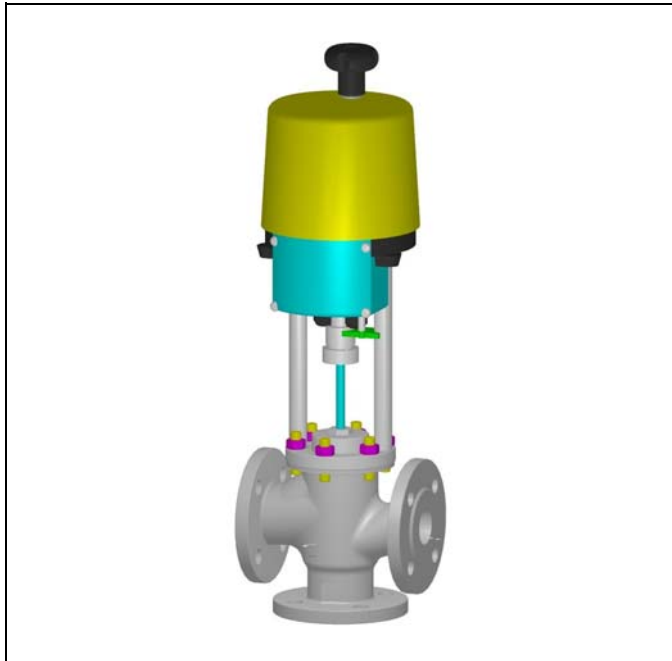
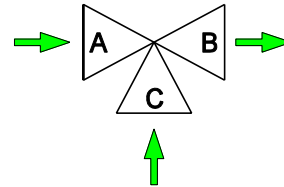


## THREE-WAY MIXING CONTROL VALVES



### TYPE 2600 EP / 2600 AMS with tension opens and closes AB and CB

Face-to-face EN 558-1



### DESCRIPTION

The "UNIWORLD" series Type 2600 EP / 2600 AMS are equipped with EN "straight-through" pattern 3 way bodies and EN flanges.

Type 2600 EP is with linear actuator..

Type 2600 AMS is with SMART actuator.

Modulating plug is suitable for control of virtually all pipeline media.

Compact construction, assembled with "made in Germany" linear electric actuator fixed to the body by means of two steel columns.

Signals Type 2600 EP : 3 points modulating / 4-20 mA / 0-10 V

Signals Type 2600 AMS : 4-20 mA / 0-10 V

**SIZES :** from DN 15 to DN 100

**BODY CONNECTIONS :** flanged EN 1092-1 PN16...PN40

#### MATERIALS OF BODY GROUP (1):

- Cast iron EN-GJL-250 UNI EN 1561 PN16 internal AISI 316
- SG iron EN-GJS-400-18LT (GGG40.3) PN16 internal AISI 316
- Carbon steel 1.0619 PN16...PN40 internal AISI 316
- St. Steel AISI316 1.4408 PN16...PN40 internal AISI 316  
Bonnet st. steel AISI 316

#### PLUGS :

- PL (DN15-20) LV (DN25-100) = linear classe IV°
- PT (DN15-20) VPT (DN25-100) = quick lift class IV°

#### BONNET (2) :

- Standard for temperatures from -5 to + 200 °C
- Finned for temperatures > 200 °C
- Extended for temperatures < -5 °C
- Bellow sealed for thermal oil or hazardous media  
PN16 – 25 - 40 and safety gland arrangement

#### GLAND ARRANGEMENT (PACKING) (3) :

- PTFE 100% rings for temperatures ≤150 °C
- PTFE 85% + graphite 15% for temperatures ≤ 200 °C
- 100% pure graphite rings for temperatures from 200 to 400 °C  
with finned bonnet

#### MAX WORKING CONDITIONS :

- Max inlet pressure and temperature : see leaflet 101/VP
- Valve sizing : see leaflet 100/VP
- Rangeability : see leaflet GRAFICI/I

**CV = american unit (flowrate in USGPM  
with 1 psi of differential pressure)**

**Kv = metric unit (flowrate in m3/h  
with 1 bar of differential pressure)**

Full bore plugs		DN 15	DN 20	DN 25	DN 32	DN 40	DN 50	DN 65	DN 80	DN 100
		Ø 1/2"	Ø 3/4"	Ø 1"	Ø 1.1/4"	Ø 1.1/2"	Ø 2"	Ø 2.1/2"	Ø 3"	Ø 4"
PL	CV	3.4	6.6	10	23.4	28	36.4	72.7	89.3	123.8
	KV	2.9	5.7	8.6	20.1	24.1	31.4	62.7	77.0	106.7
PT	CV	3.4	6.6	13.8	30.3	38.7	52	99.6	116.2	162.4
	KV	2.9	5.7	11.9	26.1	33.4	44.8	85.8	100.1	140
Reduced bore*		n.a.	1/2"	1/2"   3/4"	3/4"   1"	1"   1.1/4"	1.1/4"   1.1/2"	1.1/2"   2"	2"   2.1/2"	2.1/2"   3"

n.a. = not applicable \* CV and KV values are referred to the selected diameter and plug type ( PL/LV only)

#### TECHNICAL CHARACTERISTICS OF ELECTRIC ACTUATORS :

	2600 EP	2600 AMS
Std power supply	220 V AC	
Protection degree	IP65 EN 60529	
Control signal	3 points modulating	4-20 mA / 0-10 V
Ambient temp.	-20 / +60 °C	
Cover material	Polycarbonate	
Electric connections	2 x PG13	

2600EP	PSL201	PSL202	PSL204	PSL210
Power VA	25,9	37 / 40	44 / 47	51 / 53
Velocity mm/s	0,25	0,5	0,5	0,45

2600 AMS	PSL202AMS11	PSL204AMS11	PSL210AMS11
Power VA	30	30	30
Velocity mm/s	0,45 – 0,9	0,45 – 0,9	0,2 - 0,35

#### ON REQUEST :

	2600 EP	2600 AMS
Seal	PTFE/GR ≤190°C class VI°	
	PTFE ≤150°C class VI°	
Lapping	Sede-otturatore class V°	
Stellite	degree 6 on seat-plug and bush	
Reduced bores	(see table CV e KV)	
Power supply	24Vdc – 2VAC – 110 V AC	
Potentiometer	1000 Ohm 1 o 2	Included
Positioner	4-20 mA / 0-10 V	Included
Trasmitter	4-20 mA	Included
Protection degree	IP67	
Limit switches	2 x SPDT mechanical – silver contacts	
Wire and Software	Not applicable	Required

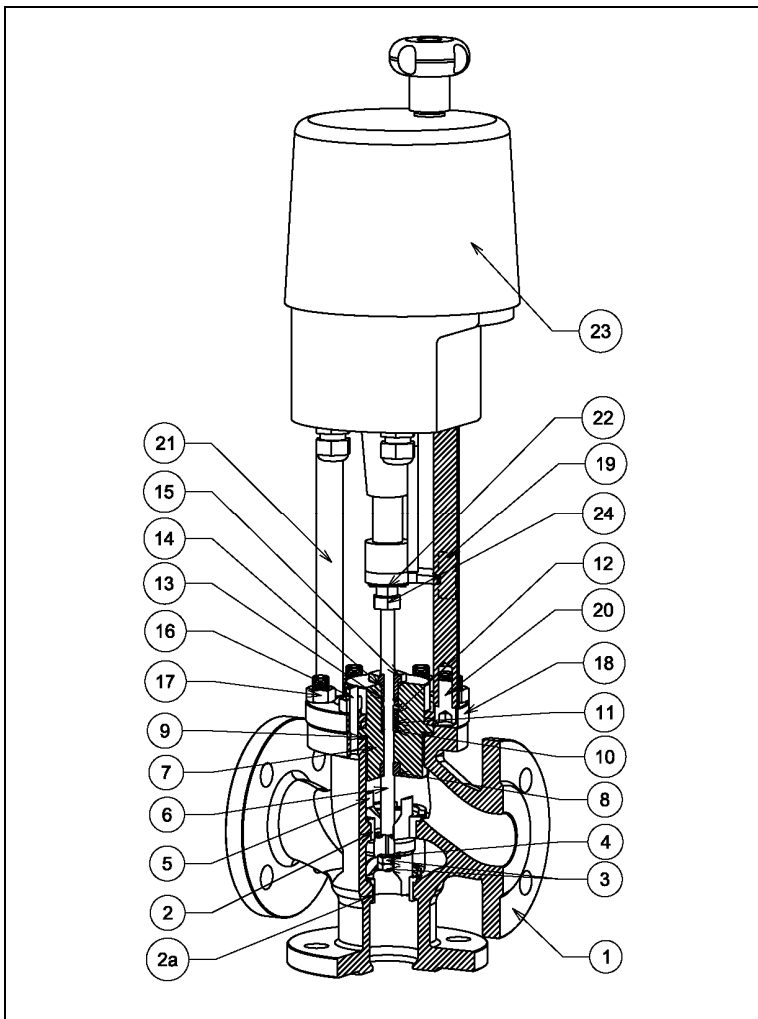
**Maximum permissible pressure drops in Kg/cm<sup>2</sup> (fluid opens) with alive motor**  
**Speed in second for total stroke in mm**

DN		15	20	25	32	40	50	65	80	100	
stroke mm		11			19			28			
EP	PSL201	Kg/cm <sup>2</sup>	50	31,3	17,6	11,3	8	4,6	n.a.	n.a.	n.a.
		Vel. sec	44	44	44	76	76	76			
	PSL202	Kg/cm <sup>2</sup>	n.a.	62,7	35,2	22,6	15,7	9,1	5,2	3,6	2
		Vel. sec		22	22	38	38	38	56	56	56
	PSL204	Kg/cm <sup>2</sup>	n.a.	n.a.	70,3	45,2	31,5	18,2	10,3	7,1	4
		Vel. sec			22	38	38	38	56	56	56
	PSL210	Kg/cm <sup>2</sup>	n.a.	n.a.	n.a.	n.a.	78,7	45,5	25,8	17,8	10,1
		Vel. sec					38	57	84	84	84
AMS	PSL202	Kg/cm <sup>2</sup>	115	72	40	26	18	9,5	5,9	4,1	2,3
		Vel. sec	25 .. 12,5	25 .. 12,5	25 .. 12,5	42 .. 21	42 .. 21	42 .. 21	62 .. 31	62 .. 31	62 .. 31
	PSL204	Kg/cm <sup>2</sup>	n.a.	n.a.	n.a.	50	35	18,6	11,6	10,8	4,5
		Vel. sec				42 .. 21	42 .. 21	62 .. 31	62 .. 31	62 .. 31	
	PSL210	Kg/cm <sup>2</sup>	n.a.	n.a.	n.a.	n.a.	78	45,5	25,8	17,8	10,1
		Vel. sec					95 .. 54	95 .. 54	140 .. 80	140 .. 80	140 .. 80

1. The values given are referred to the force of the actuator abd they can be used within the limit of the body rating.

2. Electric actuators suitable for operating force up-to 25 kN are available on request.

**COMPONENTS LIST and MATERIALS**



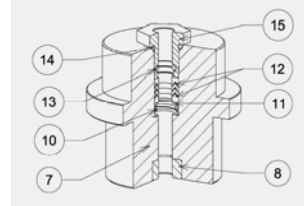
**COMPONENTS LIST**

1. Body
2. Upper seat
- 2a. Lower seat
3. Plug locknuts
4. Spring washer
5. Plug
6. Stem
7. Bonnet
8. Guide bush
9. Body gasket
10. Packing spring
11. Packing washer
12. Packing rings
13. Internal "O" ring
14. External "O" ring
15. Packing adjusting nuts
16. Stud-bolts
17. Body locknuts
18. Upper bonnet flange
19. Travel indicator plate
20. N° 2 column fixing screws
21. Actuator columns
22. Flange + locking screws
23. Electric actuator
24. Stem nut

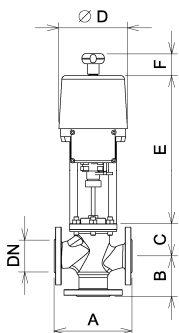
**MATERIALS**

1. See note (1) I° pag.
2. St. steel AISI 316
- 2a. St. steel AISI 316
3. St. steel AISI 304
4. St. steel AISI 304
5. St. steel AISI 316
6. St. steel AISI 316
7. See note (1) (2) I° pag.
8. St. steel AISI 304
9. Europil WS 3640 or PTFE
10. St. steel AISI 302
11. St. steel AISI 304
12. See (3) I° pag.
13. Viton FPM 70
14. Viton FPM 70
15. St. steel AISI 303
16. Galvanized steel
17. Galv. steel DIN 934
18. C40 nickel plated
19. Polycarbonate
20. Galv. steel DIN 912
21. St. steel AISI 430
22. St. steel A2
23. See technical data at page 1
24. Galv. steel DIN 936

**BONNET DETAIL**



**DIMENSIONS in mm.**



**BODY GROUP**

DN	Ø	A	B	C - Bonnet		
				Std	Finned	Bellows
15	1/2"	130	70	49	181	181
20	3/4"	150	80	58	190	190
25	1"	160	85	68	200	200
32	1.1/4"	180	100	70	202	202
40	1.1/2"	200	105	82	214	214
50	2"	230	120	86	218	218
65	2.1/2"	290	130	111	309	309
80	3"	310	140	135	333	333
100	4"	350	150	160	363	363

**ACTUATOR**

PSL201 - PSL202 PSL204 - PSL210		
Ø D	E	F
176	410	50
176	410	50
176	410	50
176	410	50
176	410	50
176	410	50
176	417	50
176	417	50
176	419	50

Specifications given are only indicative and not binding for the manufacturer who reserve the right to carry-out any modifications deemed necessary without prior notice. All data sheets by CONFLOW SpA, are available last update on our internet web site [www.conflow.it](http://www.conflow.it).