

## SINGLE SEAT TWO WAY CONTROL VALVES PED 2014/68/UE



### TYPE 2500 AR

Normally closed – Air opens

### TIPO 2500 AD

Normally open – Air closes

#### DESCRIPTION

The PTFE series type 2500 AD/Arare made of PTFE rod, are equipped with two ways "straight-through" pattern body with NPT connections.

Are recommended in chemical applications as the body is a strong acid resistant.

Modulating PTFE plug suitable for control of virtually all line media. Compact construction available in Ø ½" – ¾" – 1" diameters, and assembled with multispring pneumatic actuator having 3-15 psi standard control signal. On request the valve can be equipped with a pneumatic or electro-pneumatic pilot positioner.

**SIZES** : from Ø 1/2" to Ø 1"

**BODY CONNECTIONS** :

- NPT Female Screwed

**BODY and INSIDE PARTS MATERIAL** :

- PTFE 100 %

**PLUGS** :

- **PL** = linear class VI°
- **EQP** = equal percentage class VI°
- On request reduced bore or microflow (•)

**BONNET** : Standard for temperature from –5 to + 99 °C screwed on body valve to ensure a perfect seal independently of the tightening of the castle

**PREMISTOPPA** : PTFE 100% rings for temperature ≤ 99 °C

**TECHNICAL CHARACTERISTICS OF PNEUMATIC ACTUATOR:**

- Actuator : diaphragm type
- Control signal : 3-15 psi
- Max air supply pressure : 18 psi (1,28 bar)
- Ambient temperature : -20 ... +70 °C
- Actuator casing materials : Stainless Steel AISI 304

- Diaphragm material : EPDM 70
- Yoke material : St. Steel CF8 (AISI 304)
- Pneumatic connections : ISO 7 Rp – 1/8"

**MAX WORKING CONDITIONS :**

- Max inlet pressure and temperature : 6 bar - 5°C....+ 99 °C
- Valve sizing : see spec. 100/VP
- Rangeability : see spec. GRAFICI/I

**ON REQUEST :**

- Reduced bore (see below table)
- Pneumatic Pilot Positioner 3-15 psi ... 3-9 psi ... 9-15 psi
- Electro-pneumatic pilot positioner 4-20 mA ..4-12 mA ..12-20 mA
- Air filter regulator
- Proximity limit switches
- 3-way solenoid valve

**CV = american unit (flowrate in USGPM with 1 psi of differential pressure)**

**Kv = metric unit (flowrate in m3/h with 1 bar of differential pressure)**

Plugs Full bore		Ø 1/2"	Ø 3/4"	Ø 1"
PL	CV	3.01	4.70	5.39
	KV	2.59	4.05	4.65
EQP	CV	3.01	4.70	5.39
	KV	2.59	4.05	4.65
Red. bore*		See below	See below	See below

**(•) MICROFLOW BORE TABLE**

Ø1/2 – 3/4 – 1"	MFP 1/8"	MFP 3/16"	MFP 1/4"	MFP 3/8"	MFS1SG 1/4"	MFS2SG 1/4"	MFS1SG 3/8"	MFS2SG 3/8"
CV	0.26	0.71	1.28	2.62	0.65	1.21	1.22	2.25
KV	0.22	0.61	1.10	2.26	0.56	1.04	1.05	1.94

MFP = Linear.MFS = equal percentage \* CV and KV values are referred to the selected diameter and plug type PL / EQP only.

# CONFLOW s.p.a.

COMPANY WITH  
QUALITY SYSTEM  
CERTIFIED BY DNV GL  
= ISO 9001 =

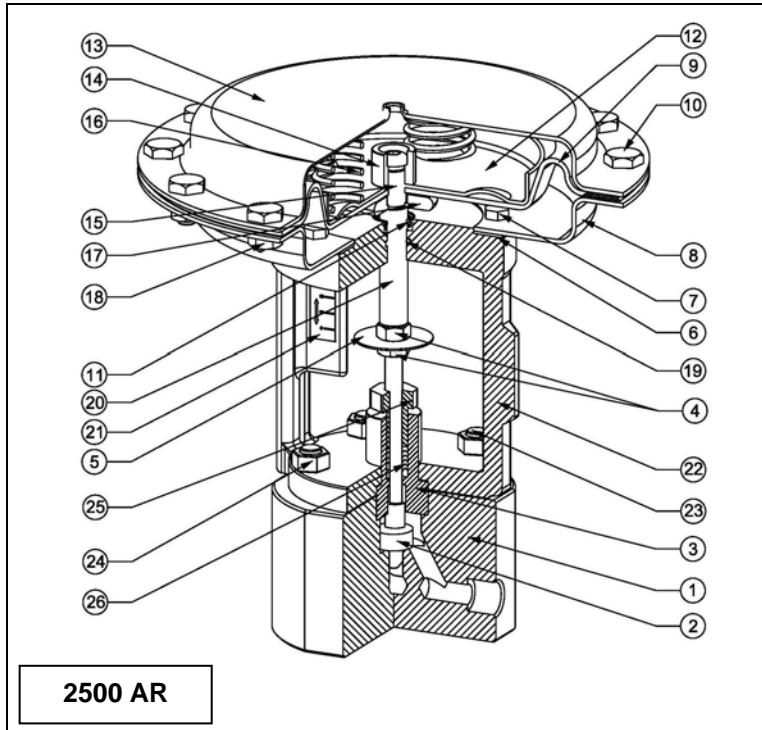
Via Lecco, 69/71  
20864 AGRATE BRIANZA (MB)  
Tel. 039/651.705 - 650.397  
Fax 039/654.018  
e-mail : sales@conflow.it  
www.conflow.it

# Maximum permissible pressure drops in Kg/cm<sup>2</sup> (fluid opens) Strokes in mm – Signals in psi

Actuator type	Signal psi	Ø 1/2 "	Ø 3/4 "	Ø 1 "
		Stroke 11	Stroke 11	Stroke 11
T200	3-15 psi	12	8	6

- 1 The actuator DELTA-PI (PRESSURE DROPS with CLOSED VALVE) are obtained without a residual thrust of air into the actuator
2. The actuator DELTA-PI "AD" version (PRESSURE DROPS with CLOSED VALVE) into the 3-15 psi column are obtained by a thrust of 18 psi.
3. The values given are referred to the force of actuator and they can be used within the limit of the body rating

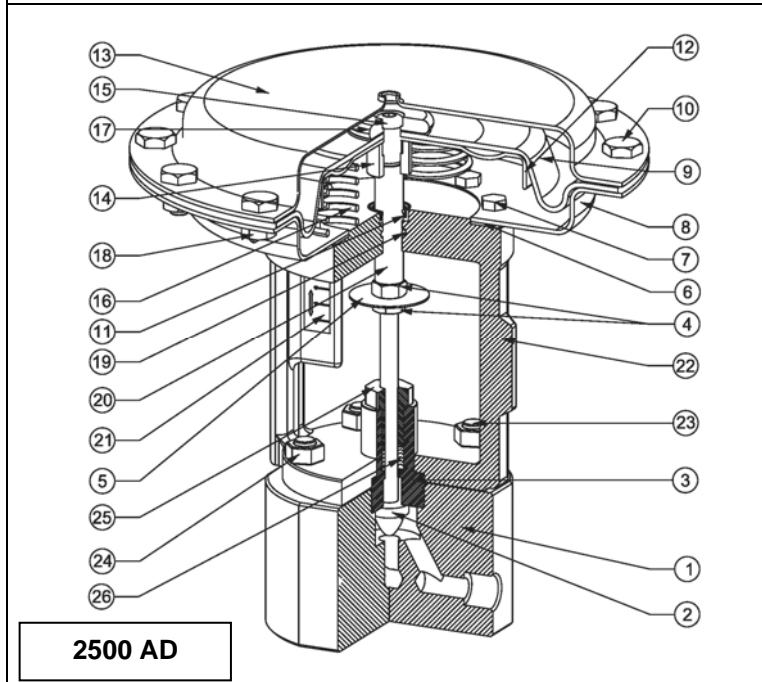
## COMPONENTS LIST AND MATERIAL



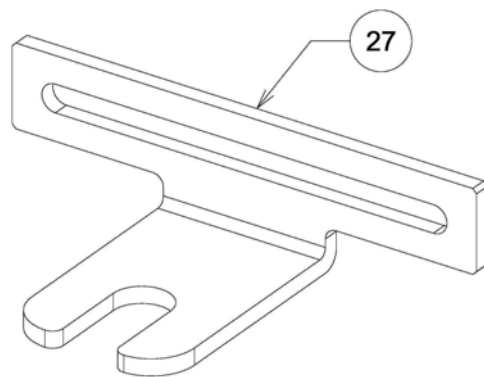
### COMPONENTS LIST

- |                                          |                        |
|------------------------------------------|------------------------|
| 1. Body                                  | 1. PTFE                |
| 2. Plug with integrated stem             | 2. PTFE                |
| 3. Bonnet                                | 3. PTFE                |
| 4. Position indicator bolts              | 4. St. Steel AISI 304  |
| 5. Position indicator                    | 5. Alluminium          |
| 6. Yoke gasket                           | 6. Cork - Rubber       |
| 7. Lower diaphragm casing internal bolts | 7. St. Steel AISI 304  |
| 8. Lower diaphragm casing                | 8. St. Steel AISI 304  |
| 9. Diaphragm                             | 9. EPDM 70             |
| 10. Diaphragm casing locknuts            | 10. St. Steel AISI 304 |
| 11. Airtight                             | 11. NBR                |
| 12. Diaphragm plate                      | 12. Fe P01             |
| 13. Upper diaphragm casing               | 13. St. Steel AISI 304 |
| 14. Diaphragm bush                       | 14. St. Steel AISI 303 |
| 15. Diaphragm locknut                    | 15. St. Steel AISI 304 |
| 16. Springs                              | 16. C98 UNI 3823       |
| 17. Diaphragm spacer                     | 17. Galvanized steel   |
| 18. Diaphragm casing bolts               | 18. St. Steel AISI 304 |
| 19. "O" ring                             | 19. NBR                |
| 20. Diaphragm rod                        | 20. St. Steel AISI 303 |
| 21. Travel indicator plate               | 21. Policarbonate      |
| 22. Yoke                                 | 22. St. Steel AISI 304 |
| 23. Stud-bolts                           | 23. St. Steel AISI 304 |
| 24. Yoke locknuts                        | 24. St. Steel AISI 304 |
| 25. Packing adjusting nut                | 25. PTFE               |
| 26. Packing rings                        | 26. "V" PTFE           |
| 27. Positioner bracket                   | 27. St. Steel AISI 304 |

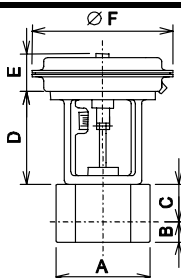
### MATERIALS



**VALVES TYPE 2500 AD/AR ARE EQUIPPED WITH BRACKET POSITIONER**



## DIMENSIONS in mm.



Ø	A	B	C	D
1/2 "	130	26	59	147
3/4 "	130	26	59	147
1 "	130	26	59	147

Actuator	E	Ø F
T 200	70	210