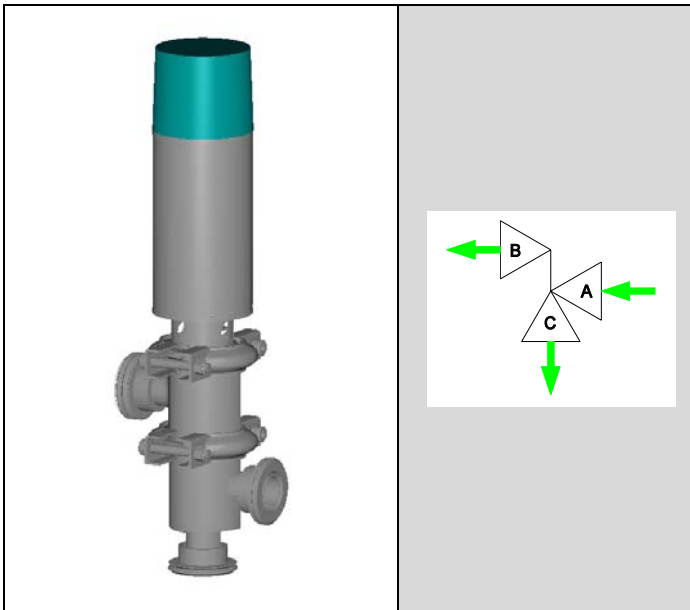


THREE WAYS ON – OFF DIVERTING SERVICE PED 2014/68/UE



TYPE 1800 AD Direct action
n.c. B and open A - C

TYPE 1800 AR Reverse action
n.o. A - B and closed C

TYPE 1800 DE Double effect
No air failure position

DESCRIPTION

Type 1800 diverting service on – off valves are with three square ways with revolving connections. They are suggested for ON - OFF service in food and pharmaceutical where very high levels of flexibility and hygienic conditions are normally required. They are fitted with plug for on – off service (quick opening) with viton soft insert for a total shut-off. Compact construction assembled with a cylinder actuator with a signal range of 5 to 6 bar.

SIZES : from DN 15 to DN 100

BODY CONNECTIONS :

- Smooth welding caps according to DIN (Standard) A316 L
- Male tapped according to DIN 11851 A316L
- Female screwed according to DIN 11851 A316L
- Complete union according to DIN 11851 A316L
- Snap – clamp system according to DIN 405 A316L
- Flanged UNI 2277/78 PN 10-16 A316L

MATERIALS OF BODY GROUP :

- Stainless steel AISI 316 L – X2 Cr Ni Mo 1712 PN 10
Polished version or satin version

PLUG :

- PT = quick lift for on – off service with viton FPM 70 soft insert

PACKING : N° 2 “O” rings FPM 70 ≤ 160°C

TECHNICAL CHARACTERISTICS OF PNEUMATIC ACTUATOR:

- Actuator : piston
- Control signals : 5-6 bar
- Max air supply pressure : 8 bar
- Ambient temperature : -20°C.....+70°C
- Actuator material : Stainless steel 1.3401
- Cylinder upper cover : PVC
- Connessioni pneumatiche : 1/8” NPT

MAX WORKING CONDITIONS :

- Max inlet pressure and temperature : 10 bar –15°C....+ 160°C
- Valve sizing : see leaflet 100/VP

ON REQUEST :

- Proximity limit switches
- 3-way solenoid valve

CV = american unit (flowrate in US GPM with 1 psi of differential pressure)

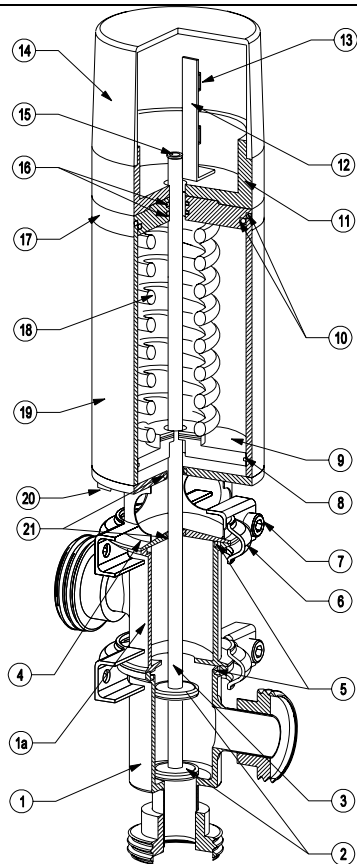
Kv = metric unit (flowrate in m3/h with 1 bar of differential pressure)

Plug Full bore		DN 15 Ø 1/2”	DN 20 Ø 3/4”	DN 25 Ø 1”	DN 32 Ø 1.1/4”	DN 40 Ø 1.1/2”	DN 50 Ø 2”	DN 65 Ø 2.1/2”	DN 80 Ø 3”	DN 100 Ø 4”
PT	CV	6	9	14	20	29	48	82	117	187
	KV	5.2	7.8	12.0	17.2	24.9	41.3	70.5	100.6	160.8

Maximum permissible pressure drops in Kg/cm² (fluid opens)

TYPE OF FUNCTION		NORMALLY OPEN	NORMALLY CLOSED	DOUBLE ACTION
Air Pressure (bar)		5 - 6		
DN	CYLINDER ACTUATOR SIZE	Maximum permissible pressure drops in Kg/cm ²		
15	70	19	19	19
20	70	13	13	13
25	70	7	7	7
32	90	9	9	9
40	90	6	6	6
50	90	5.5	5.5	5.5
65	100	5.5	5.5	5.5
80	140	5	5	5
100	140	4	4	4

COMPONENT LIST AND MATERIALS



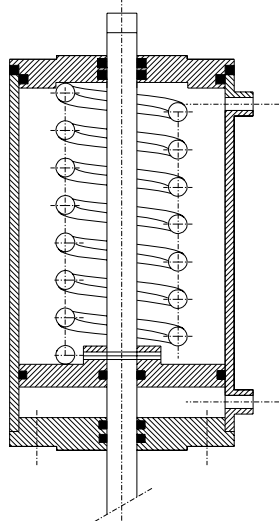
COMPONENTS

1. Lower body
- 1a. Upper body
2. Soft seal plug
3. Stem
4. Upper body
5. Body gasket
6. Clamp
7. Clamp bolts
8. Cylinder O-Rings
9. Piston
10. External O-Rings
11. Cover basis
12. Limit switches bracket
13. Limit switches
14. Cylinder upper cover
15. Feeler
16. Internal O-Rings upper stem
17. Upper flange
18. Spring
19. Cylinder
20. Cylinder locknuts
21. O-rings aseptic room

MATERIALS

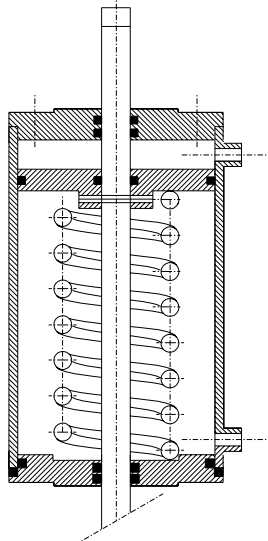
1. AISI 316 L St. Steel
- 1a. AISI 316 L St. Steel
2. AISI 316 L St. Steel + Viton FPM 70
3. AISI 316 L St. Steel
4. AISI 316 L St. Steel
5. Viton FPM 70
6. AISI 304 St. Steel
7. AISI 304 St. Steel
8. NBR
9. Anticorodal
10. Viton FPM 70
11. AISI 316 L St. Steel
12. Anticorodal
13. /
14. PVC
15. PVC
16. Viton FPM 70
17. AISI 304 St. Steel
18. C98 UNI 3823
19. AISI 304 St. Steel
20. AISI 304 St. Steel
21. Viton FPM 70

AR – REVERSE ACTION



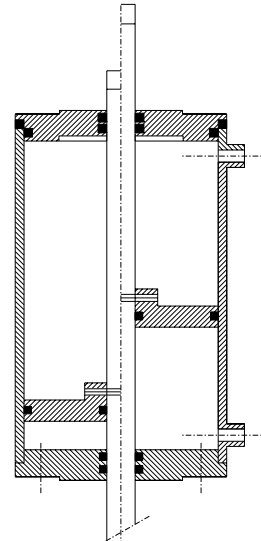
Air connection 1/8" NPT

AD – DIRECT ACTION



Air connection 1/8" NPT

DE – DOUBLE EFFECT



Air connection 1/8" NPT

DIMENSIONS (See leaflet DIMHY/IE)

Specifications given are only indicative and not binding for the manufacturer who reserve the right to carry-out any modifications deemed necessary without prior notice. All data sheets by CONFLOW SpA, are available last update on our internet web site www.conflo.it