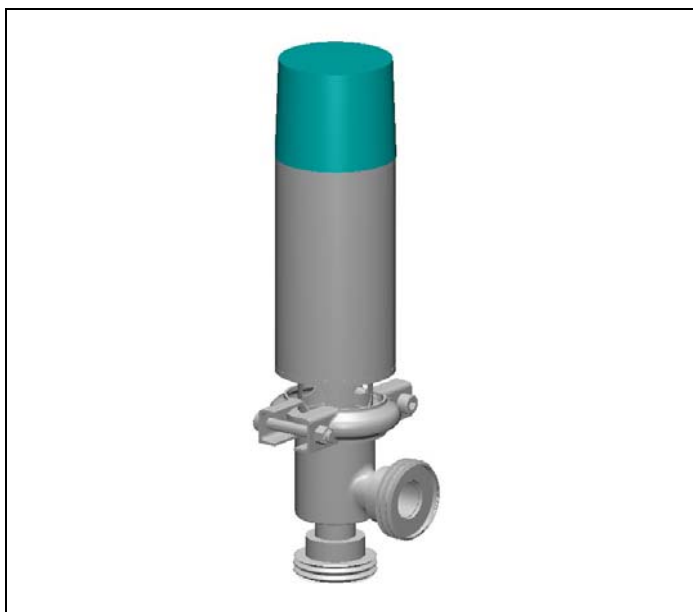


SINGLE SEAT TWO WAYS – ON - OFF PED 2014/68/UE



TYPE 1300 AD Direct Action
Opens on air failure

TYPE 1300 AR Reverse Action
Closes on air failure

TYPE 1300 DE Double Action
No air failure position

DESCRIPTION

Type 1300 "HYGIENIC" two ways pneumatic on – off valves are with two square ways with revolving connections. They are suggested for ON - OFF service in food and pharmaceutical where very high levels of flexibility and hygienic conditions are normally required. They are fitted with plug for on – off service (quick opening) with viton soft insert for a total shut-off. Compact construction assembled with a cylinder actuator with a signal range of 5 to 6 bar.

SIZES : from DN 15 to DN 100

BODY CONNECTIONS :

- Smooth welding caps according to DIN (Standard) A316 L
- Male tapped according to DIN 11851 A316L
- Female screwed according to DIN 11851 A316L
- Complete union according to DIN 11851 A316L
- Snap – clamp system according to DIN 405 A316L
- Flanged UNI 2277/78 PN 10-16 A316L

MATERIALS OF BODY GROUP :

- Stainless steel AISI 316 L – X2 Cr Ni Mo 1712 PN 10
Polished version or satin version

PLUG :

- PT = quick lift for on – off service with viton FPM 70 soft insert

PACKING : N° 2 "O" rings FPM 70 ≤ 160°C

TECHNICAL CHARACTERISTICS OF PNEUMATIC ACTUATOR:

- Actuator : piston
- Control signals : 5-6 bar
- Max air supply pressure : 8 bar
- Ambient temperature : -20°C.....+70°C
- Actuator material : Stainless steel 1.3401
- Cylinder upper cover : PVC
- Pneumatic connections : 1/8" NPT

MAX WORKING CONDITIONS :

- Max inlet pressure and temperature : 10 bar –15°C....+ 160°C
- Valve sizing : see leaflet 100/VP

ON REQUEST :

- Proximity limit switches
- 3-way solenoid valve

**CV = american unit (flowrate in US GPM
With 1 psi of differential pressure)**

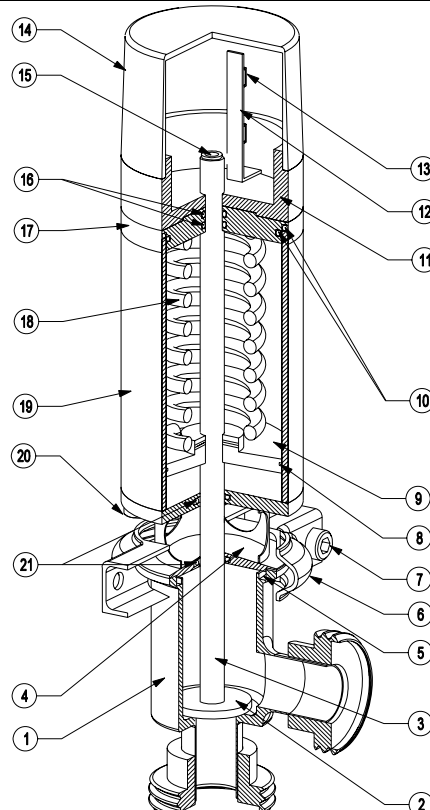
**Kv = metric unit (flowrate in m3/h with
1 bar of differential pressure)**

| Plug Full bore | | DN 15 Ø 1/2" | DN 20 Ø 3/4" | DN 25 Ø 1" | DN 32 Ø 1.1/4" | DN 40 Ø 1.1/2" | DN 50 Ø 2" | DN 65 Ø 2.1/2" | DN 80 Ø 3" | DN 100 Ø 4" |
|----------------|----|-----------------|-----------------|---------------|-------------------|-------------------|---------------|-------------------|---------------|----------------|
| PT | CV | 6 | 9 | 14 | 20 | 29 | 48 | 82 | 117 | 187 |
| | KV | 5.2 | 7.8 | 12.0 | 17.2 | 24.9 | 41.3 | 70.5 | 100.6 | 160.8 |

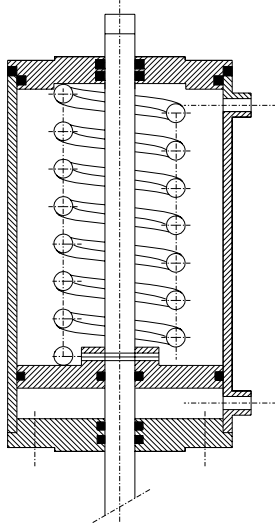
Maximum permissible pressure drops in Kg/cm² (fluid opens)

| TYPE OF FUNCTION | | NORMALLY OPEN | NORMALLY CLOSED | DOUBLE ACTION |
|--------------------|------------------------|--|-----------------|---------------|
| Air Pressure (bar) | | 5 - 6 | | |
| DN | CYLINDER ACTUATOR SIZE | Maximum permissible pressure drops in Kg/cm ² | | |
| 15 | 70 | 19 | 19 | 19 |
| 20 | 70 | 13 | 13 | 13 |
| 25 | 70 | 7 | 7 | 7 |
| 32 | 90 | 9 | 9 | 9 |
| 40 | 90 | 6 | 6 | 6 |
| 50 | 90 | 5.5 | 5.5 | 5.5 |
| 65 | 100 | 5.5 | 5.5 | 5.5 |
| 80 | 140 | 5 | 5 | 5 |
| 100 | 140 | 4 | 4 | 4 |

COMPONENT LIST AND MATERIALS

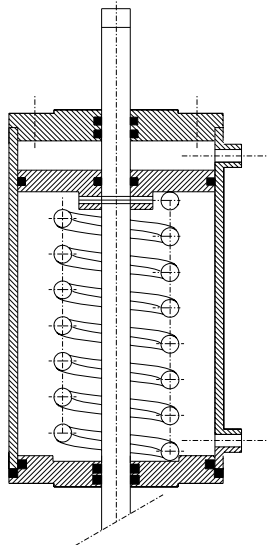
| 14 15 16 17 18 19 20 21 4 1 |  | COMPONENTS | MATERIALS |
|--|--|---|--|
| | | <ol style="list-style-type: none"> 1. Body 2. Soft seal plug 3. Stem 4. Upper body 5. Body gasket 6. Clamp 7. Clamp bolts 8. Cylinder O-Rings 9. Piston 10. External O-Rings 11. Cover basis 12. Limit switches bracket 13. Limit switches 14. Cylinder upper cover 15. Feeler 16. Internal O-Rings upper stem 17. Upper flange 18. Spring 19. Cylinder 20. Cylinder locknuts 21. O-rings aseptic room | <ol style="list-style-type: none"> 1. AISI 316 L St. Steel 2. AISI 316 L St. Steel + Viton FPM 70 3. AISI 316 L St. Steel 4. AISI 316 L St. Steel 5. Viton FPM 70 6. AISI 304 St. Steel 7. AISI 304 St. Steel 8. NBR 9. Anticorodal 10. Viton FPM 70 11. AISI 316 L St. Steel 12. Anticorodal 13. / 14. PVC 15. PVC 16. Viton FPM 70 17. AISI 304 St. Steel 18. C98 UNI 3823 19. AISI 304 St. Steel 20. AISI 304 St. Steel 21. Viton FPM 70 |

AR – REVERSE ACTION



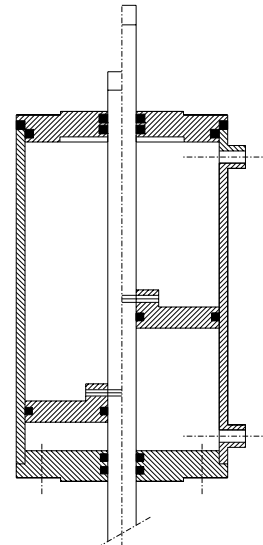
Air connection 1/8" NPT

AD – DIRECT ACTION



Air connection 1/8" NPT

DE – DOUBLE EFFECT



Air connection 1/8" NPT

DIMENSIONS (See leaflet DIMHY/I/E)

Specifications given are only indicative and not binding for the manufacturer who reserve the right to carry-out any modifications deemed necessary without prior notice. All data sheets by CONFLOW SpA, are available last update on our internet web site www.conflow.it.