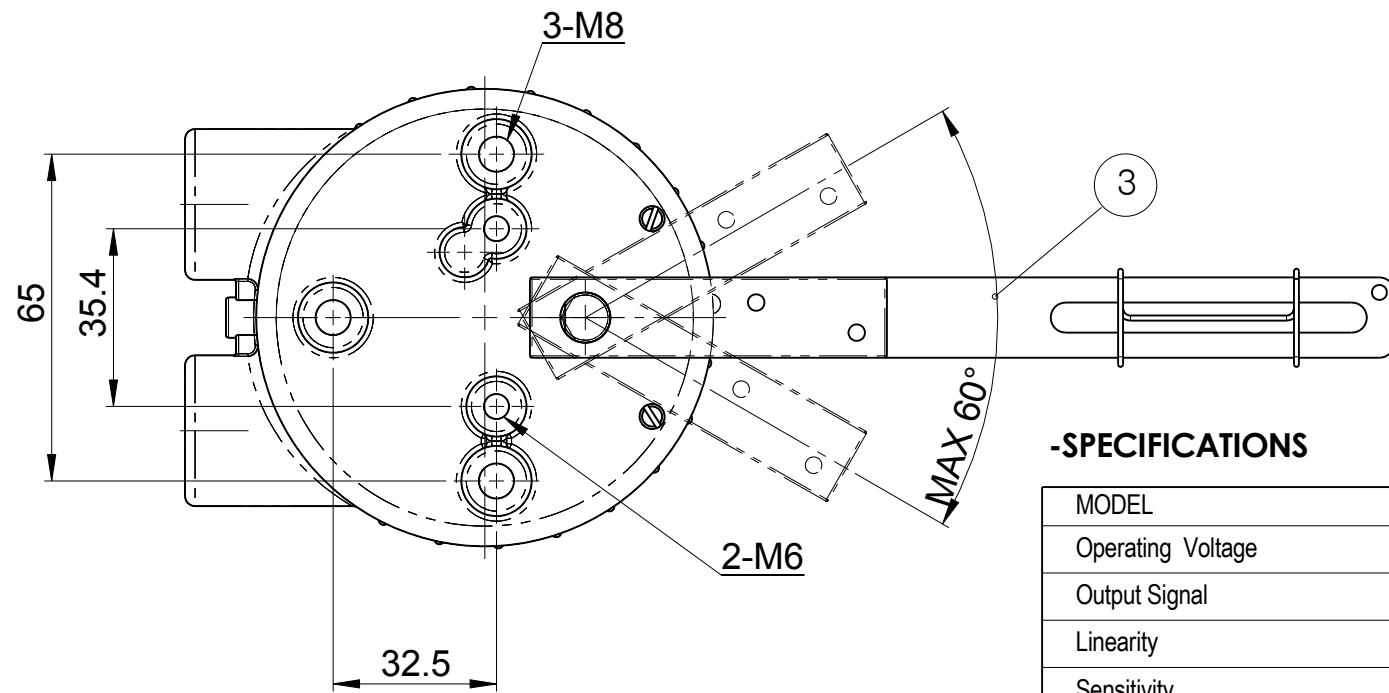
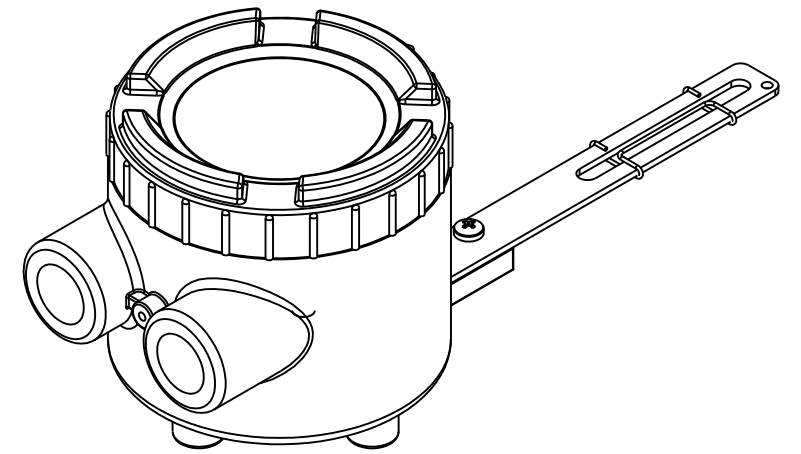
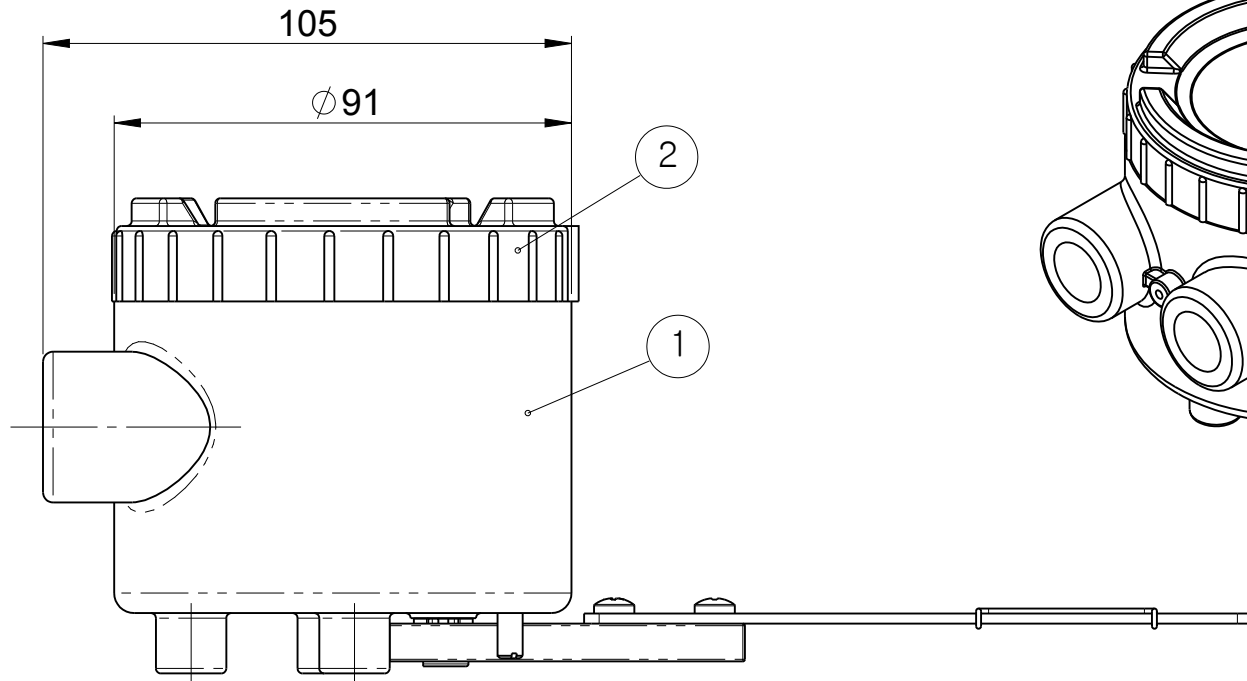
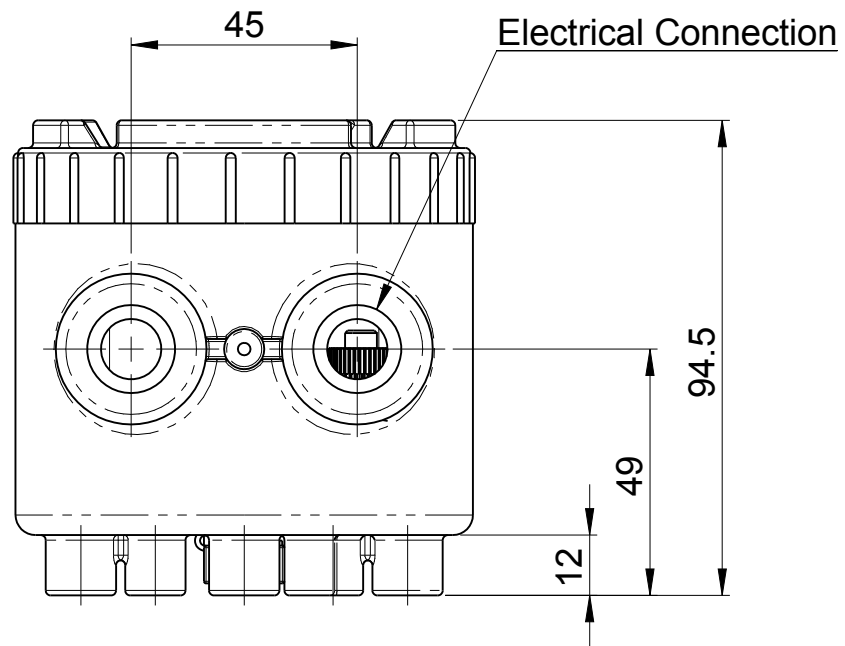


NO.	PART NAME	MATERIAL	QTY	REMAKE
3	FEEDBACK LEVER	STAINLESS STEEL	1	
2	BASE COVER	AL DIECASTING	1	
1	BASE BODY	AL DIECASTING	1	



-SPECIFICATIONS

MODEL	PTP - Linear Type
Operating Voltage	6...30VDC (24V DC typical)
Output Signal	4 - 20 mA
Linearity	Within ± 1.0 % F.S
Sensitivity	Within ± 0.25 % F.S
Hysteresis	± 0.5 %
Adjusting	ZERO / SPAN RA / DA
Protection Class	Exd IIC T6
Operating Temperature	-20°C ~ 60°C
Electrical Connections	2 - G1/2 or 2 - NPT 1/2

NOTE:

● Feedback Lever

<input type="checkbox"/> A : Stroke	10~40mm
<input type="checkbox"/> B : Stroke	10~80mm
<input type="checkbox"/> C : Stroke	80~150mm
<input type="checkbox"/> D : Other	

PG POWER-GENEX http://www.power-genex.com			TITLE : PTP Linear ASSY.		
DRAWN	Kim. K. W	SIGNATURE	PROJ : 3rd	PRODUCT NAME : POSITION TRANSMITTER PAC	
CHECKED	Ko. S. W		SCALE : 1:1.5	MODEL : PTPL	
APPROVED	Ko. S. Y		SIZE : A3	DWG. NO. PG-PTPL-01a	
DATE	JULY, 2007		REV. NO. A		
QUANTITY	DIMENSION : mm		SHEET 1 OF 1		