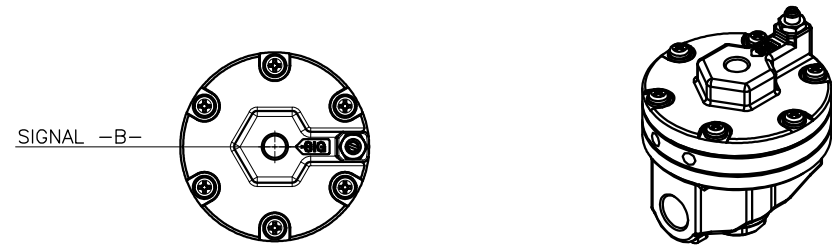
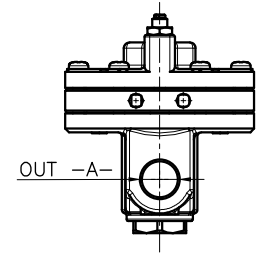
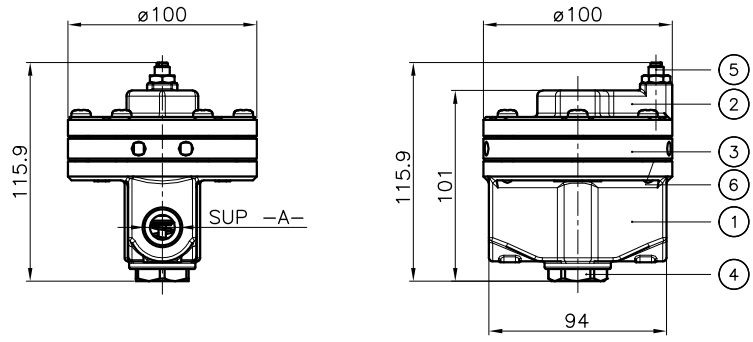


REV. NO.	REVISION DESCRIPTION	DATE	APPROVED
A			



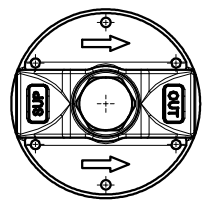
No.	Part name	Material
1	Body	ALDC 12.1, SUS316
2	Cover	ALDC 12.1, SUS316
3	Exhaust ring	ALDC 12.1, SUS316
4	Drain plug	ALDC 12.1, SUS316
5	Adjust screw	ALDC 12.1, SUS316
6	Diaphragm	NBR



- SPECIFICATIONS

Model	AVB - 2000	AVB - 2100
Supply Air Pressure	Max. 10bar (150 psi)	
Signal Air Pressure (positioner output)	Max. 7bar (105 psi)	
Supply Air Quality acc. to ISO 8573-1	Filtered, compressed dry and non-oiled to meet Class 3	
Pressure Ratio : signal to output	1 : 1	
Dead Band	2% (0.016 bar)	
Hysteresis	1 %	
Linearity	±1% F.S	
Supply Cv	3.1	
Exhaust Cv	2.4	
Operating Ambient Temperature	-20°C ~ +80°C (std), -20°C ~ +120°C (high), -40°C ~ +80°C (low)	
Weight	1.0 kg	2.4 kg
Supply (SUP) Output (OUT)	PT 1/2 or NPT 1/2	NPT 1/2
Signal (SIG)	PT 1/4 or NPT 1/4	NPT 1/4
Body	Aluminum die-cast	Stainless steel 316
Diaphragm	NBR(standard)	
O-rings	NBR(standard)	

SUP, OUT -A-	SIG -B-
PT 3/8	PT 1/4
NPT 3/8	NPT 1/4
PT 1/2	PT 1/4
NPT 1/2	NPT 1/4



Body Material	Port Size	Operating Temperature	Options
AVB □ 0 : Aluminum die-cast □ 1 : Stainless steel 316	□ 0 : PT (Rc) 3/4 □ 1 : NPT 3/4	□ 0 : -20°C ~ +80°C □ 1 : -20°C ~ +120°C □ 2 : -40°C ~ +80°C	□ N : None □ A : Supply pressure gauge port □ B : NPT 1/2 threaded exhaust port □ C : A + B

PG POWER-GENEX
<http://www.power-genex.com>

TITLE : AIR VOLUME BOOSTER

DRAWN	NAME	SIGNATURE	PROJ : 3rd	PRODUCT NAME :
CHECKED	Kim. D. H		SCALE : 1:1	MODEL :
APPROVED	Kim. K. W		SIZE : A3	AVB 2000
DATE				DWG NO.
QUANTITY			DIMENSION : mm	PG-AVB-02
			SHEET 1 OF 1	REV. NO.